

507100

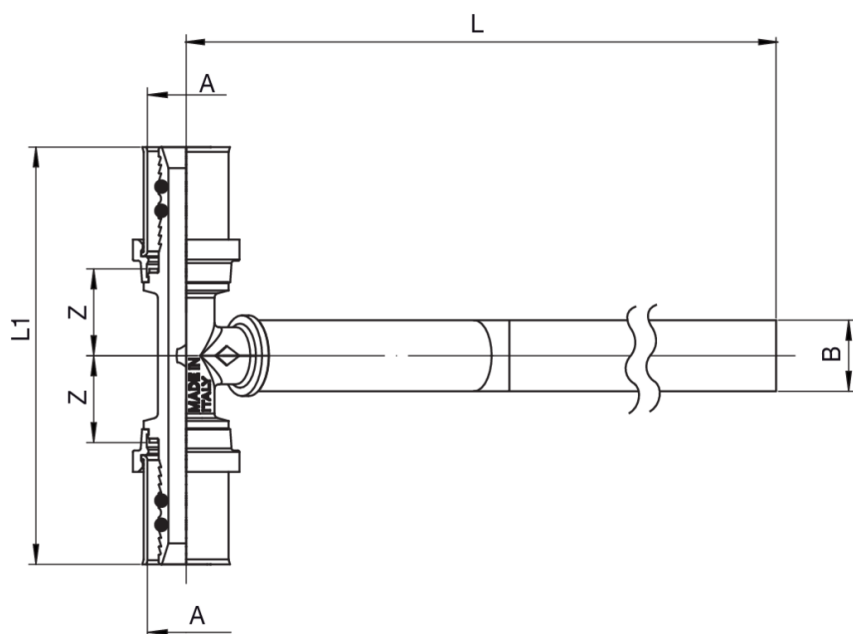
PATENTED



Tee for connection with radiator.



Technical specifications



A X B X L	SP	BAG	BOX	MASTER BOX	CODE	L1	Z
16 x 15 x 300	2	2	8	24	507100161503	88	18,5
16 x 15 x 1100	2	-	2	-	507100161511	88	18,5
20 x 15 x 300	2	1	10	30	507100201503	96	22,5
20 x 15 x 1100	2	-	2	-	507100201511	96	22,5

Applications



DRINKING WATER



HEATING



HVAC



COMPRESSED AIR



INDUSTRIAL



MARINE