



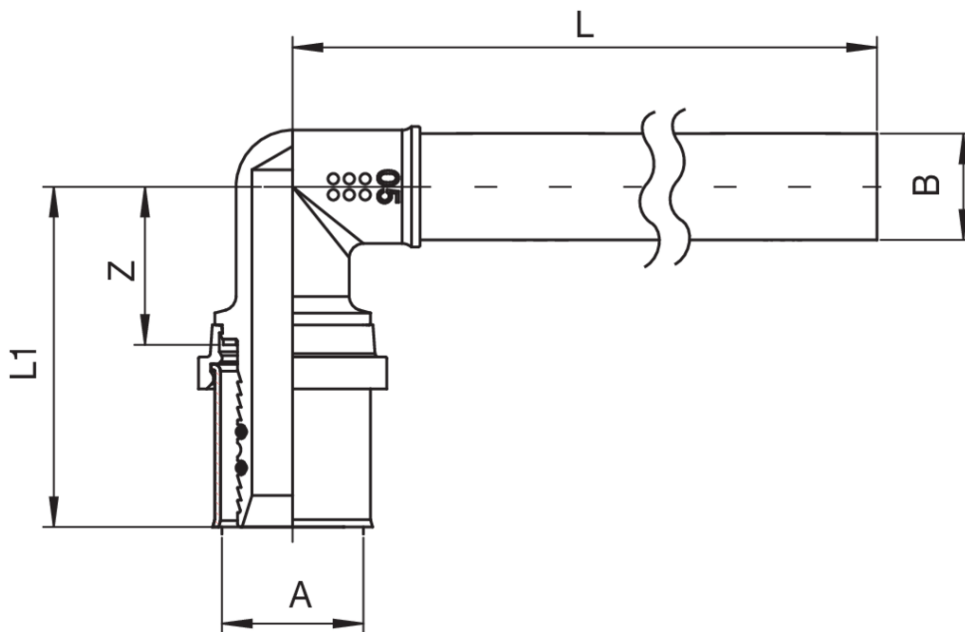
**507000**

**PATENTED**

Elbow with copper pipe for connection with radiator.



## Technical specifications



A X B X L	SP	BAG	BOX	MASTER BOX	CODE	L1	Z
16 x 15 x 300	2	2	10	30	507000161503	44	18,5
16 x 15 x 1100	2	-	2	-	507000161511	44	18,5
20 x 15 x 300	2	2	10	30	507000201503	48	22,5
20 x 15 x 1100	2	-	2	-	507000201511	48	22,5

## Applications



DRINKING  
WATER



HEATING



HVAC



COMPRESSED  
AIR



INDUSTRIAL



MARINE

