

505300

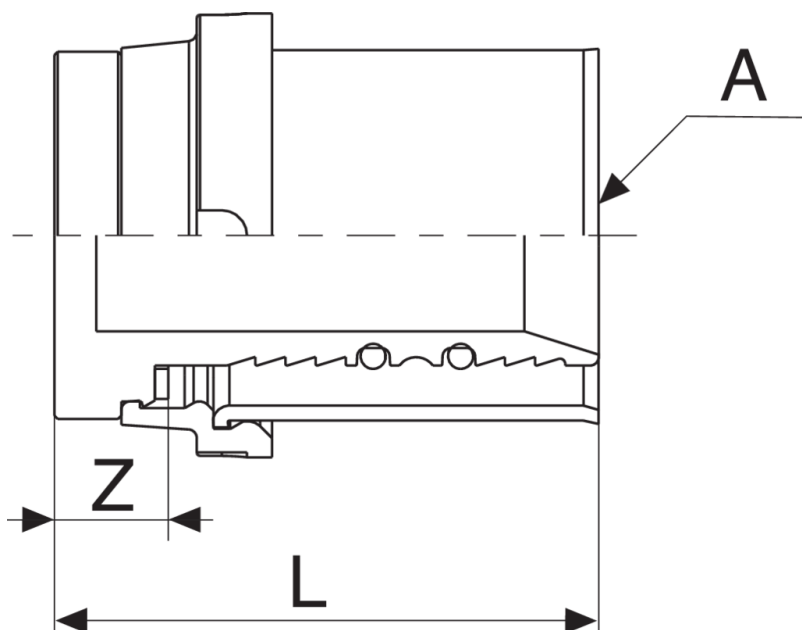
PATENTED



Cap.



## Technical specifications



A	SP	BAG	BOX	MASTER BOX	CODE	L	Z
14	2	10	40	160	50530014	31,5	6
16	2	10	40	160	50530016	31,5	6
18	2	10	30	120	50530018	31,5	6
20	2	10	30	120	50530020	32,5	7
26	3	5	20	80	50530026	39	8
32	3	5	10	40	50530032	40,5	8
40	3,5	1	10	40	50530040	34,5	9

# Applications



DRINKING WATER



HEATING



HVAC



COMPRESSED AIR



INDUSTRIAL



MARINE