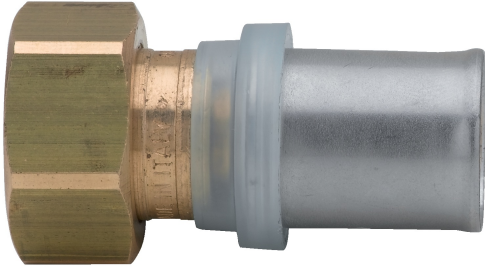


**505000**

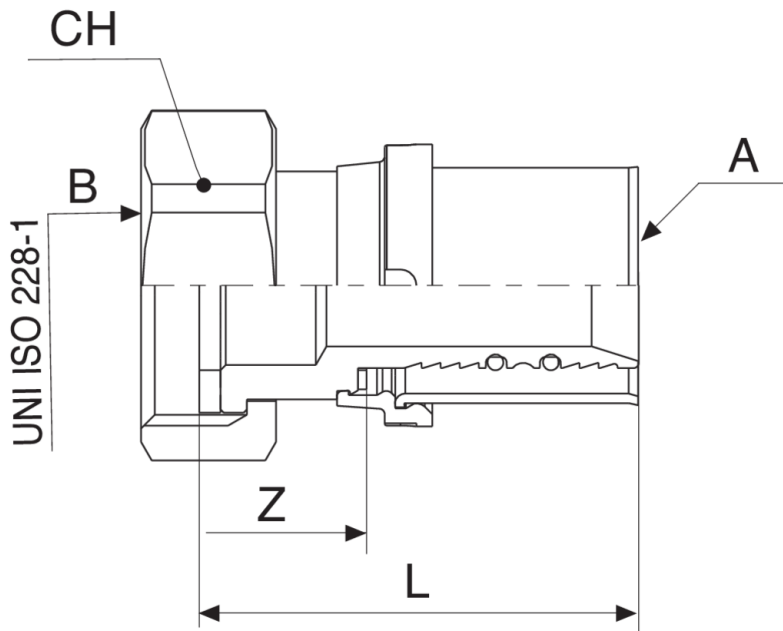
**PATENTED**



2 pieces straight fitting flat seals.



## Technical specifications



A X B	SP	BAG	BOX	MASTER BOX	CODE	CH	L	Z
14 x 1/2"	2	5	60	240	5050001404	24	40	14,5
16 x 3/8"	2	5	60	240	5050001603	20	44,5	18
16 x 1/2"	2	5	60	240	5050001604	24	40	14,5
16 x 3/4"	2	5	50	200	5050001605	30	37,5	11,8
16 x 1"	2	5	25	100	5050001606	30	41,5	15,5
18 x 3/4"	2	5	50	200	5050001805	30	41	15,5
20 x 1/2"	2	5	20	80	5050002004	24	42,5	16
20 x 3/4"	2	5	50	200	5050002005	30	41,5	16
20 x 1"	2	5	25	100	5050002006	37	38	12,3
26 x 3/4"	3	5	25	100	5050002605	30	49,5	18,3
26 x 1"	3	5	25	100	5050002606	37	51	20
32 x 1"	3	5	20	80	5050003206	37	53	19
32 x 1"1/4	3	5	10	40	5050003207	37	51,3	19,3
40 x 1"1/2	3,5	1	10	40	5050004008	52	48	21,5
50 x 2"	4	1	6	24	5050005010	64	61	26
63 x 2"1/2	4,5	1	3	12	5050006312	81	64	29

## Applications



DRINKING  
WATER



HEATING



HVAC



COMPRESSED  
AIR



INDUSTRIAL



MARINE