

504500

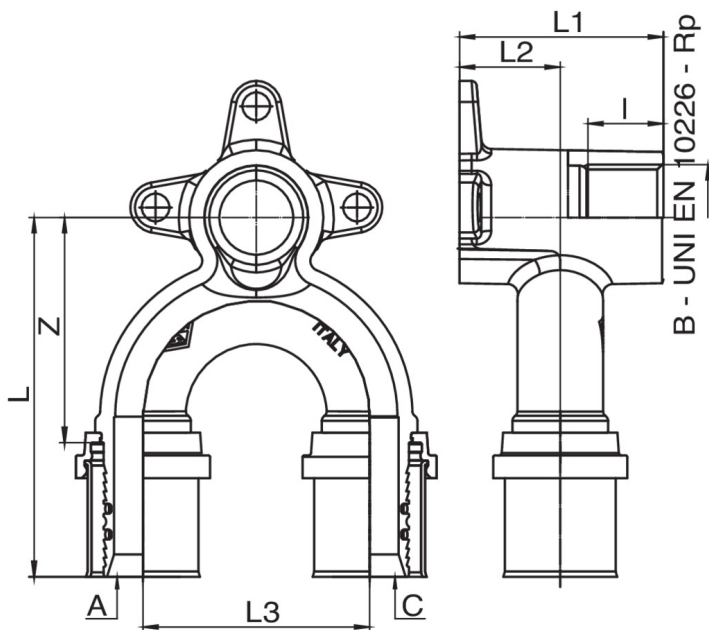
PATENTED



Wallplate elbow U-shaped 180°.



Technical specifications



A X B X C	SP	BAG	BOX	MASTER BOX	CODE	I	L	L1	L2	L3	Z	KG
16 x 1/2" x 16	2	5	10	40	504500160416	15	71	40,5	20	45	44,5	0,23
20 x 1/2" x 20	2	5	10	40	504500200420	15	71	40,5	20	45	44,5	0,25

Applications



DRINKING WATER



HEATING



HVAC



COMPRESSED AIR



INDUSTRIAL



MARINE