

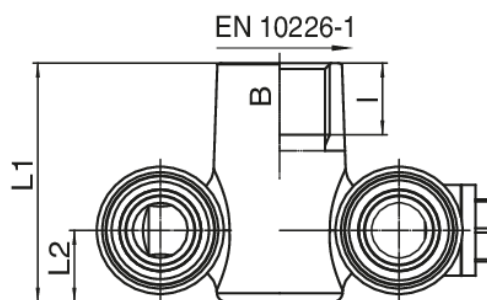
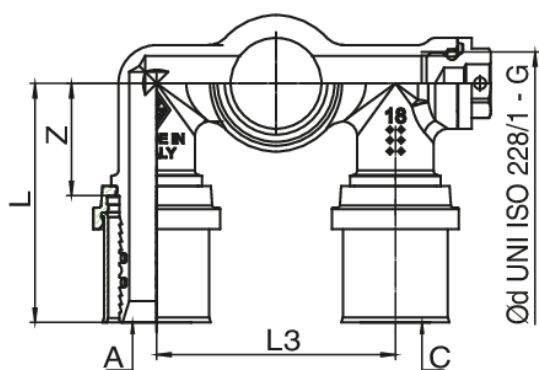
504400

PATENTED

Wallplate elbow U-shaped.



Technical specifications



A X B X C	ØD	SP	BAG	BOX	MASTER BOX	CODE	I	L	L1	L2	L3	Z
16 x 1/2" x 16	1/4	2	5	10	40	504400160416	15	50	49	15	50	27,5
20 x 1/2" x 20	1/4	2	5	10	40	504400200420	15	50	49	15	50	27,5

Applications



DRINKING WATER



HEATING



HVAC



COMPRESSED AIR



INDUSTRIAL



MARINE