



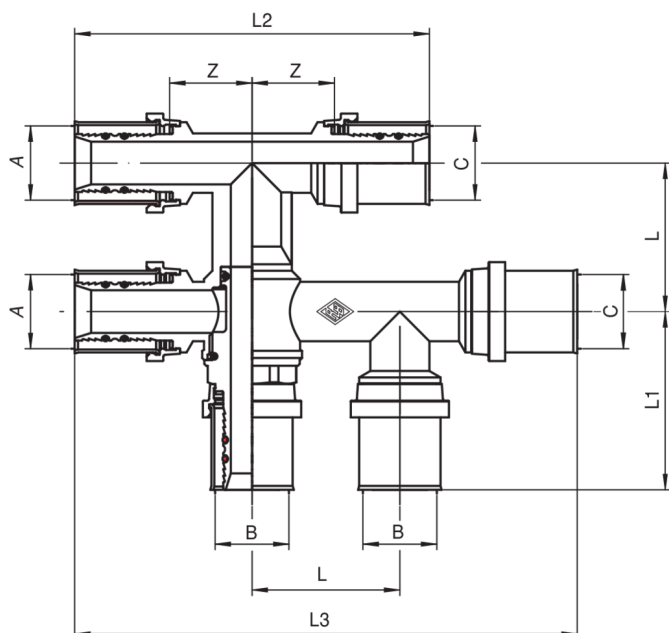
503700

PATENTED

Double T.



Technical specifications



A X B X C	SP	BAG	BOX	MASTER BOX	CODE	L	L1	L2	L3	Z
16 x 16 x 16	2	1	10	40	503700161616	40	48	96	136	22,5
20 x 16 x 16	2	1	5	20	503700201616	40	48	96	136	22,5
20 x 16 x 20	2	1	5	20	503700201620	40	48	96	136	22,5
20 x 20 x 20	2	1	5	20	503700202020	40	48	96	136	22,5

Applications



DRINKING WATER



HEATING



HVAC



COMPRESSED AIR



INDUSTRIAL



MARINE