

503500

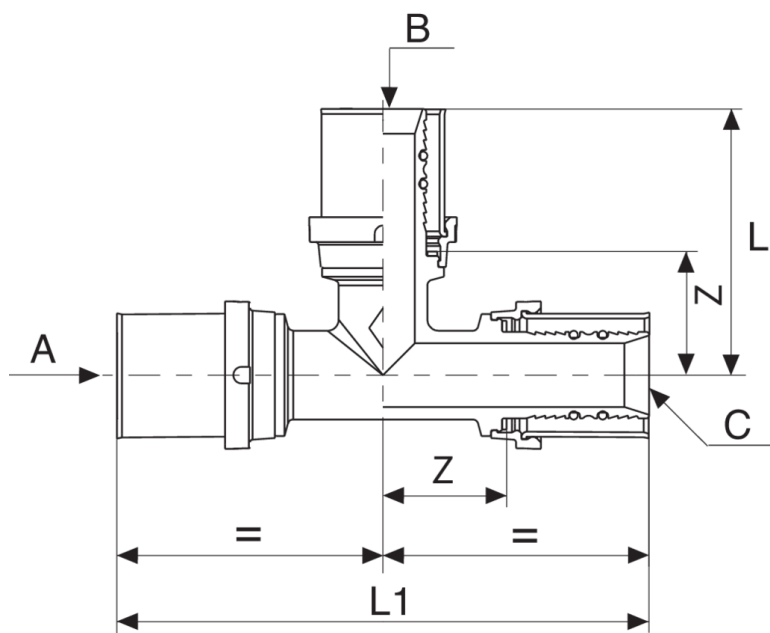
PATENTED



TEE widening in lateral position.



Technical specifications



AXBC	SP	BAG	BOX	MASTER BOX	CODE	L	L1	Z
20 x 16 x 16	2	5	20	80	503500201616	48	96	22,5
20 x 18 x 18	2	5	20	80	503500201818	48	96	22,5
26 x 20 x 20	3-2-2	5	15	60	503500262020	52	109,5	26,5
32 x 26 x 26	3	4	8	32	503500322626	60,5	122,5	29,5
40 x 32 x 32	3,5-3-3	1	5	20	503500403232	65	125	34,5

Applications



DRINKING WATER



HEATING



HVAC



COMPRESSED AIR



INDUSTRIAL



MARINE