

**503400**

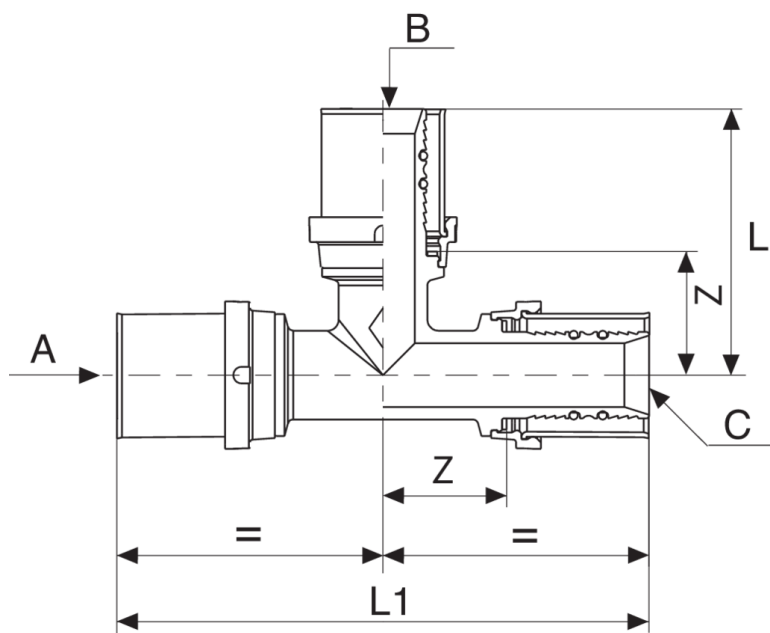
**PATENTED**



TEE reduced in lateral position.



## Technical specifications



A X B X C	SP	BAG	BOX	MASTER BOX	CODE	L	L1	Z
20 x 20 x 16	2	5	20	80	503400202016	48	96	22,5
20 x 20 x 18	2	5	20	80	503400202018	48	96	22,5
26 x 26 x 16	3-3-2	5	15	60	503400262616	57,5	109,5	26,5
26 x 26 x 18	3-3-2	5	15	60	503400262618	57,5	109,5	26,5
26 x 26 x 20	3-3-2	5	10	40	503400262620	57,5	109,5	26,5
32 x 32 x 20	3-3-2	4	8	32	503400323220	62	117	29,5
32 x 32 x 26	3	4	8	32	503400323226	62	122,5	29,5

# Applications



DRINKING WATER



HEATING



HVAC



COMPRESSED AIR



INDUSTRIAL



MARINE