

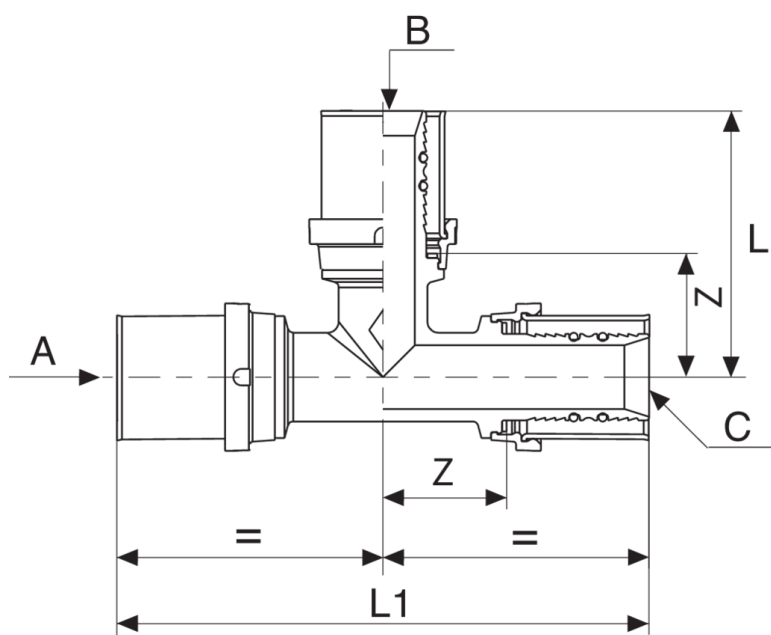
**503200**

**PATENTED**

TEE.



## Technical specifications



A X B X C	SP	BAG	BOX	MASTER BOX	CODE	L	L1	Z
14 x 14 x 14	2	5	30	120	50320014	44	88	18,5
16 x 16 x 16	2	5	30	120	50320016	44	88	18,5
18 x 18 x 18	2	5	20	80	50320018	48	96	22,5
20 x 20 x 20	2	5	20	80	50320020	48	96	22,5
26 x 26 x 26	3	5	10	40	50320026	57,5	115	26,5
32 x 32 x 32	3	4	8	32	50320032	62	124	29,5
40 x 40 x 40	3,5	1	6	24	50320040	60	120	34,5
50 x 50 x 50	4	1	2	8	50320050	75	150	41
63 x 63 x 63	4,5	1	2	8	50320063	82	164	48

## Applications



DRINKING  
WATER



HEATING



HVAC



COMPRESSED  
AIR



INDUSTRIAL



MARINE