

502200

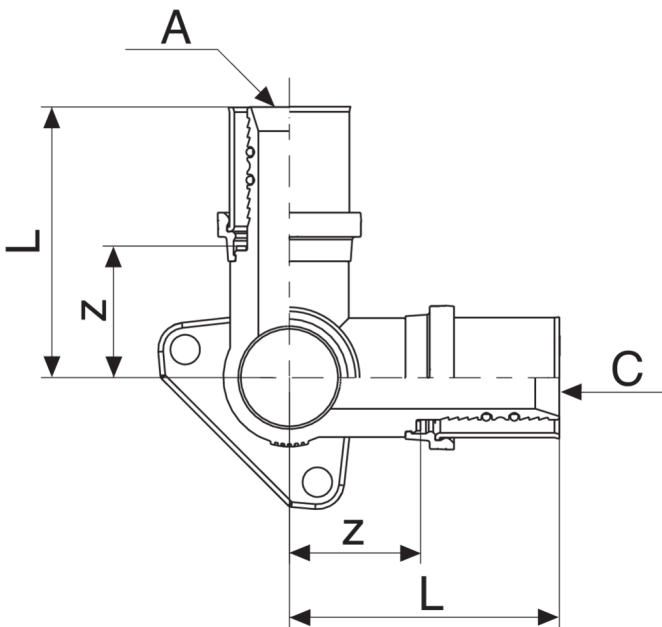
PATENTED

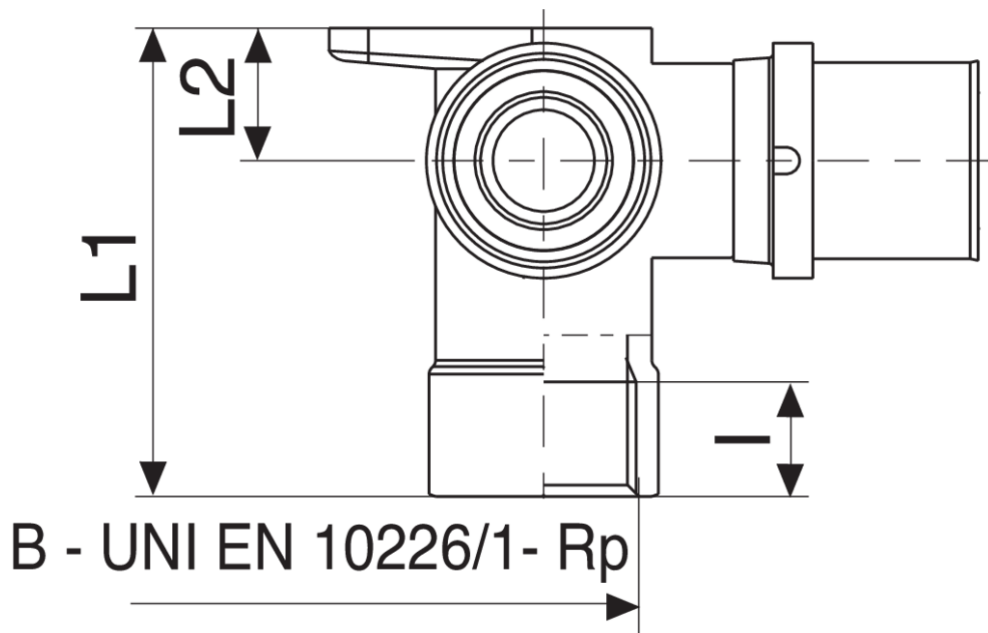


Female thread elbow with double diversion.



Technical specifications





A X B X C	SP	BAG	BOX	MASTER BOX	CODE	I	L	L1	L2	Z
16 x 1/2" x 16	2	5	15	60	502200160416	15	50	53	15	24,5
18 x 1/2" x 18	2	5	15	60	502200180418	15	50	53	15	24,5
20 x 1/2" x 20	2	5	15	60	502200200420	15	50	53	15	24,5

Applications



DRINKING
WATER



HEATING



HVAC



COMPRESSED
AIR



INDUSTRIAL



MARINE