

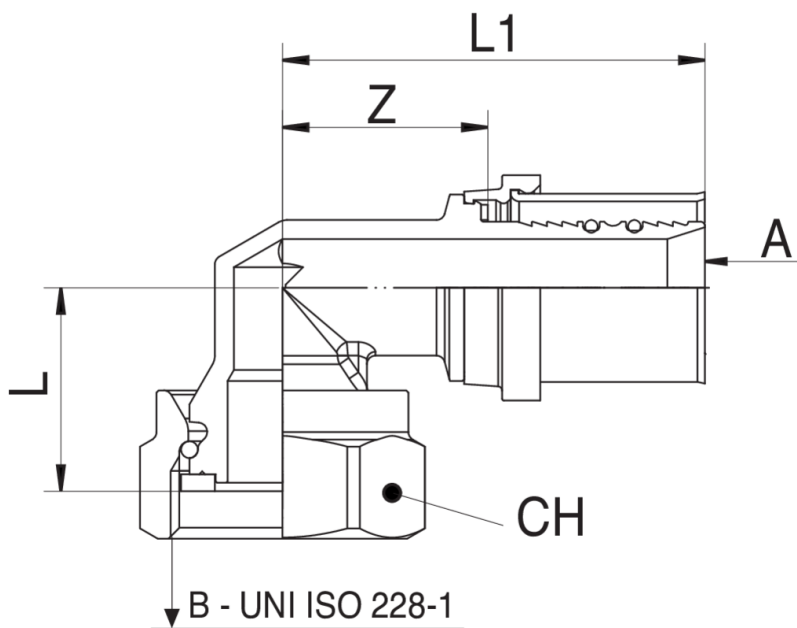
501700

PATENTED

Elbow, 2-piece, with flat seat.



Technical specifications



A X B	SP	BAG	BOX	MASTER BOX	CODE	CH	L	L1	Z
16 x 1/2"	2	5	30	120	5017001604	24	25,5	44	17,5
16 x 3/4"	2	5	30	120	5017001605	30	24	37,5	50
20 x 1/2"	2	5	30	120	5017002004	24	25,5	47	20,5
20 x 3/4"	2	5	30	120	5017002005	30	24	37,5	50

Applications



DRINKING WATER



HEATING



HVAC



COMPRESSED AIR



INDUSTRIAL



MARINE