

**501200**

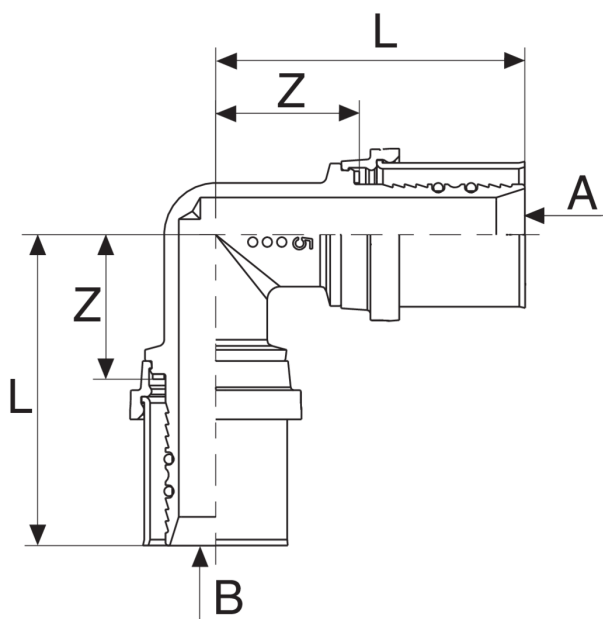
**PATENTED**



Elbow double.



## Technical specifications



A X B	SP	BAG	BOX	MASTER BOX	CODE	L	Z
14 x 14	2	5	40	160	50120014	44	18,5
16 x 16	2	5	40	160	50120016	44	18,5
18 x 18	2	5	40	160	50120018	48	22,5
20 x 20	2	5	35	140	50120020	48	22,5
26 x 26	3	5	20	80	50120026	57,5	26,5
32 x 32	3	5	10	40	50120032	62	29,5
40 x 40	3,5	1	8	32	50120040	60	34,5
50 x 50	4	1	4	16	50120050	75	41
63 x 63	4,5	1	3	12	50120063	82	48

## Applications



DRINKING  
WATER



HEATING



HVAC



COMPRESSED  
AIR



INDUSTRIAL



MARINE