

**501000**

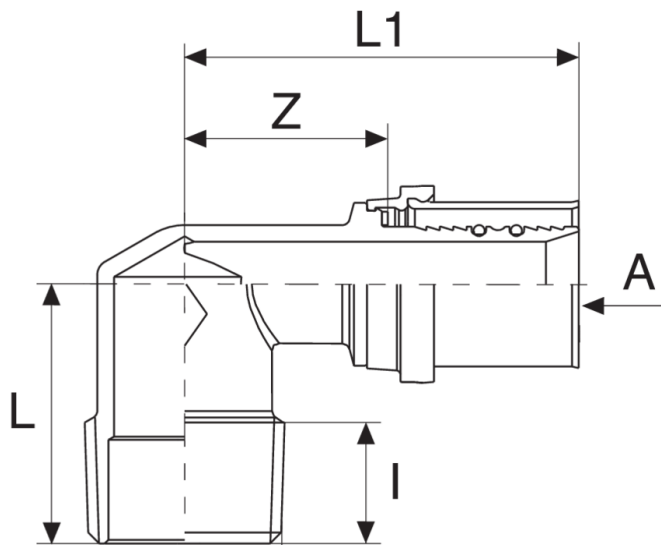
**PATENTED**



Male thread elbow.



## Technical specifications



B - UNI EN 10226/1- R

A X B	SP	BAG	BOX	MASTER BOX	CODE	I	L	L1	Z
14 x 1/2"	2	5	50	200	5010001404	15	30	50	24,5
16 x 1/2"	2	5	50	200	5010001604	15	30	50	24,5
16 x 3/4"	2	5	40	160	5010001605	16,3	35	53	27,5
18 x 1/2"	2	5	40	160	5010001804	15	30	50	24,5
18 x 3/4"	2	5	40	160	5010001805	16,3	35	53	27,5
20 x 1/2"	2	5	40	160	5010002004	15	30	50	24,5
20 x 3/4"	2	5	35	140	5010002005	16,3	35	53	27,5
26 x 3/4"	3	5	20	80	5010002605	16,3	35	57,5	26,5
26 x 1"	3	5	20	80	5010002606	19,1	40	63,5	32,5
32 x 1"	3	5	15	60	5010003206	19,1	40	65	32,5
40 x 1"1/4	3,5	1	8	32	5010004007	21,4	53,5	60	34,5
50 x 1"1/2"	4	1	5	20	5010005008	21,4	57	75	41
63 x 2"	4,5	1	4	16	5010006310	25,7	66	82	48

## Applications



DRINKING  
WATER



HEATING



HVAC



COMPRESSED  
AIR



INDUSTRIAL



MARINE