

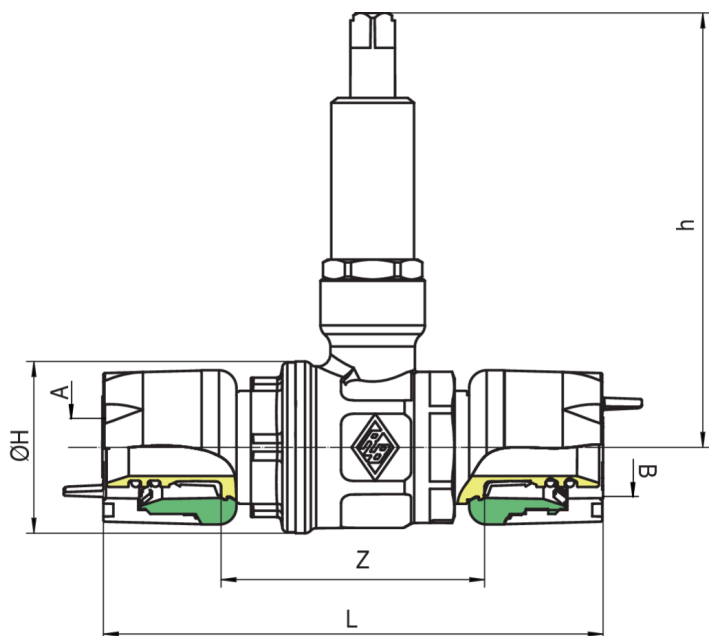
549090

PATENTED



Built-in ball valve, push/push connections with protection cap.

Technical specifications



A X B	SP	BOX	MASTER BOX	CODE	Z	ØH	L	H
16 x 16	2	15	30	54909016	53	34,5	106	87,3
20 x 20	2	15	30	54909020	53	34,5	116	87,3

Applications



DRINKING WATER



HEATING



HVAC



COMPRESSED AIR



INDUSTRIAL



MARINE