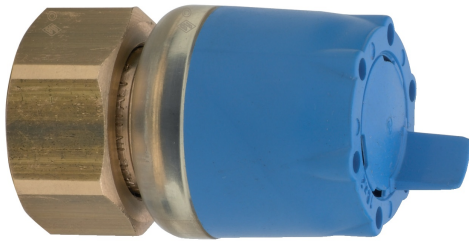


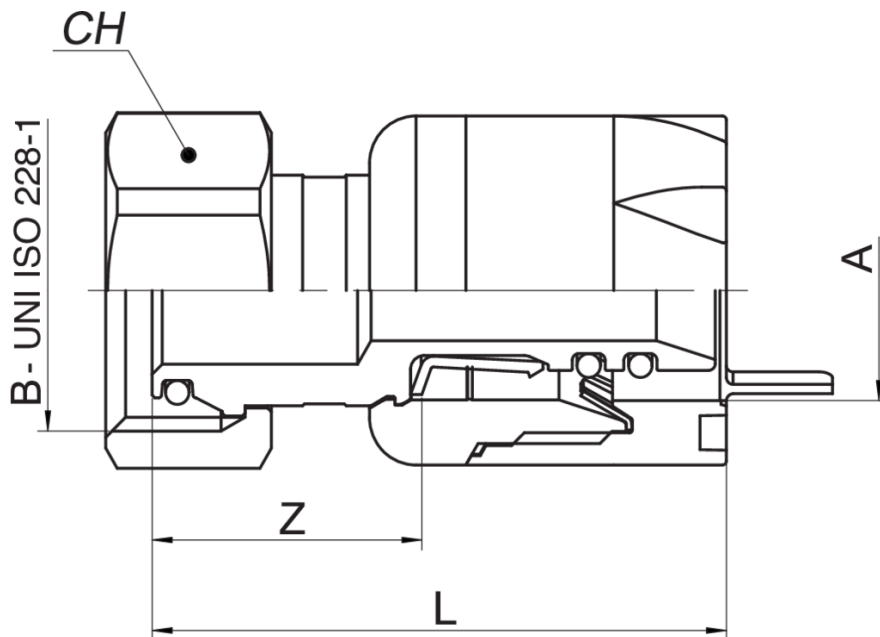
**545200**

**PATENTED**



2 pieces straight fitting taper seals 1/2".

## Technical specifications



A X B	SP	BAG	BOX	MASTER BOX	CODE	CH	L	Z
16 x 1/2"	2	1	50	200	5452001604	24	43,5	20,5

## Applications



DRINKING  
WATER



HEATING



HVAC



COMPRESSED  
AIR



INDUSTRIAL



MARINE

