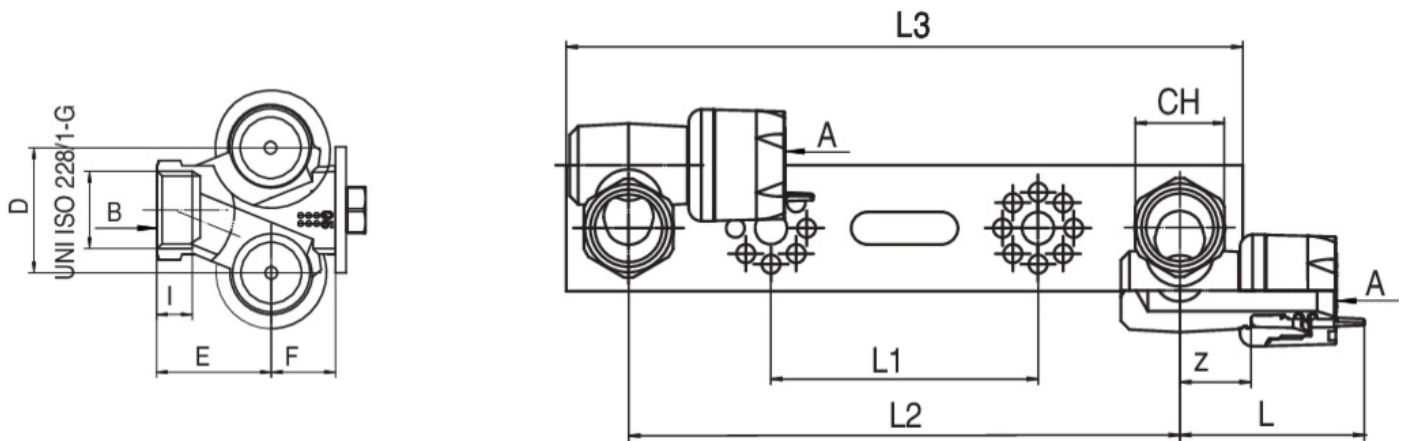


**544100**

**PATENTED**

Bracket and misaligned end fittings.

## Technical specifications



A X B	SP	BAG	BOX	MASTER BOX	CODE	I	CH	D	E	F	L	L1	L2	L3	Z
16 x 1/2"	2	1	4	16	5441001604	10	25	35	32	18	52	75	155	215	20
20 x 1/2"	2	1	4	16	5441002004	10	25	35	32	18	52	75	155	215	20

## Applications



DRINKING  
WATER



HEATING



HVAC



COMPRESSED  
AIR



INDUSTRIAL



MARINE