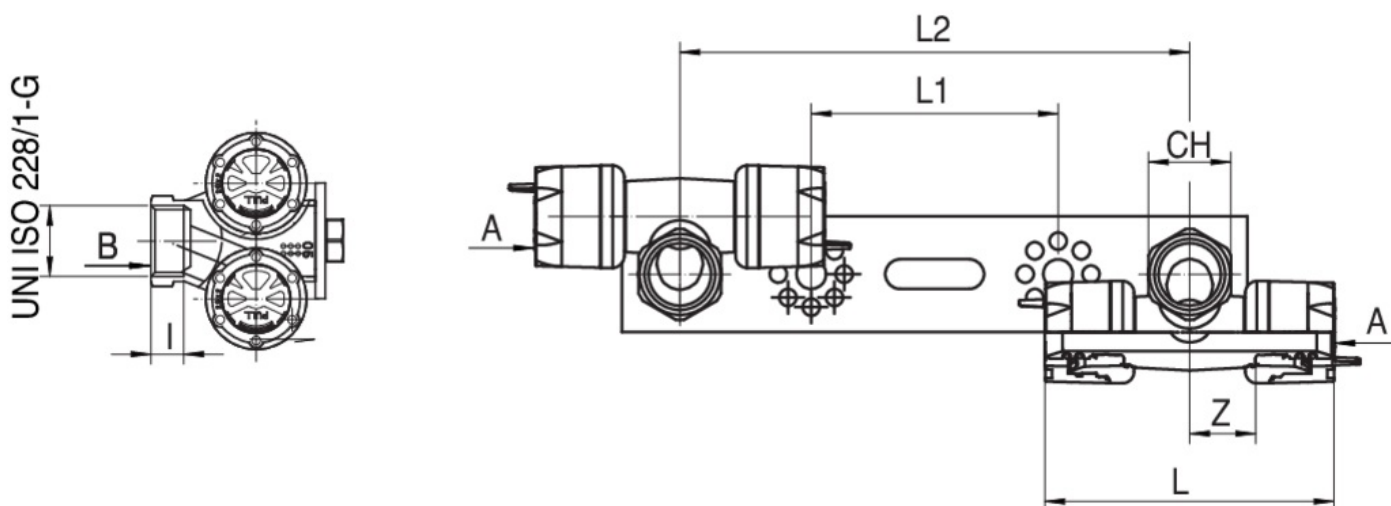


**544000**

**PATENTED**

Bracket and misaligned fittings for series connections.

## Technical specifications



A X B	SP	BAG	BOX	MASTER BOX	CODE	I	CH	L	L1	L2	Z
16 x 1/2"	2	1	4	16	544000160416	10	25	88	75	155	20
20 x 1/2"	2	1	4	16	544000200420	10	25	88	75	155	20

## Applications



DRINKING  
WATER



HEATING



HVAC



COMPRESSED  
AIR



INDUSTRIAL



MARINE