

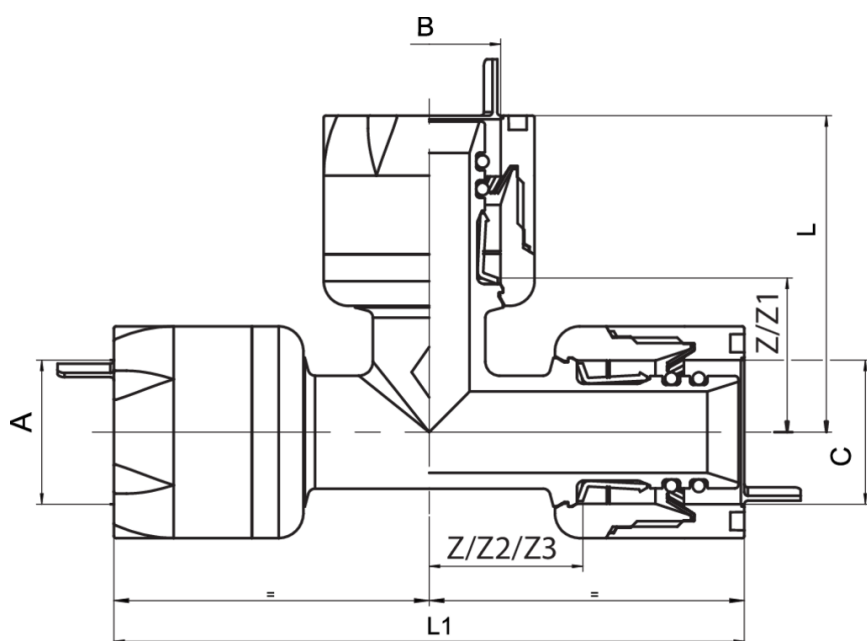


543200

PATENTED

TEE.

## Technical specifications



A X B X C	SP	BAG	BOX	MASTER BOX	CODE	L	L1	Z
16 x 16 x 16	2	1	20	80	54320016	41	82	18
20 x 20 x 20	2	1	15	60	54320020	45	90	22
26 x 26 x 26	3	1	10	40	54320026	51	102	26

## Applications



DRINKING  
WATER



HEATING



HVAC



COMPRESSED  
AIR



INDUSTRIAL



MARINE

