

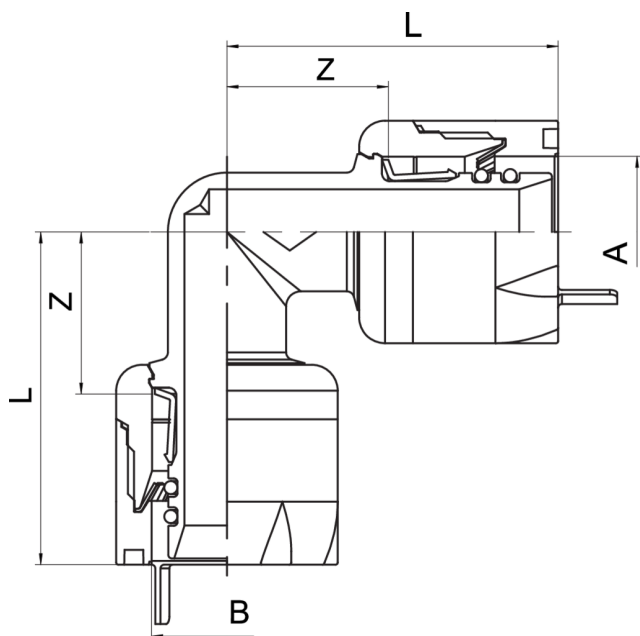
541200

PATENTED



Elbow double.

Technical specifications



A X B	SP	BAG	BOX	MASTER BOX	CODE	L	Z
16 x 16	2	1	30	120	54120016	41	18
20 x 20	2	1	25	100	54120020	45	22
26 x 26	3	1	15	60	54120026	51	26

Applications



DRINKING WATER



HEATING



HVAC



COMPRESSED AIR



INDUSTRIAL



MARINE