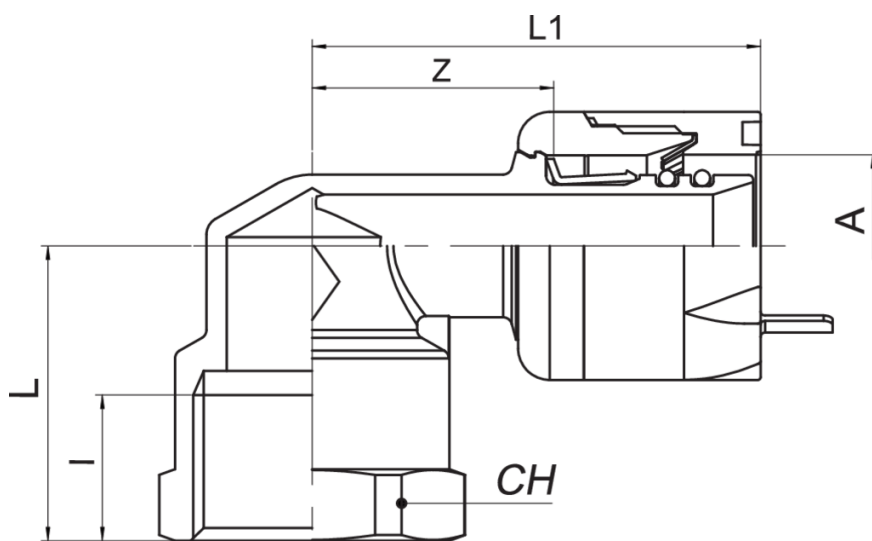


**541100**

**PATENTED**

Female thread elbow.

## Technical specifications



B - UNI EN 10226/1- Rp

| A X B     | SP | BAG | BOX | MASTER BOX | CODE       | I    | CH | L    | L1   | Z    |
|-----------|----|-----|-----|------------|------------|------|----|------|------|------|
| 16 x 1/2" | 2  | 1   | 35  | 140        | 5411001604 | 15   | 26 | 28,5 | 47   | 24   |
| 20 x 1/2" | 2  | 1   | 35  | 140        | 5411002004 | 15   | 26 | 28,5 | 47   | 24   |
| 20 x 3/4" | 2  | 1   | 30  | 120        | 5411002005 | 16,3 | 31 | 33   | 50   | 27   |
| 26 x 3/4" | 3  | 1   | 20  | 80         | 5411002605 | 16,3 | 31 | 38,5 | 51   | 26   |
| 26 x 1"   | 3  | 1   | 15  | 60         | 5411002606 | 19,1 | 38 | 45   | 54,5 | 29,5 |

# Applications



DRINKING WATER



HEATING



HVAC



COMPRESSED AIR



INDUSTRIAL



MARINE