

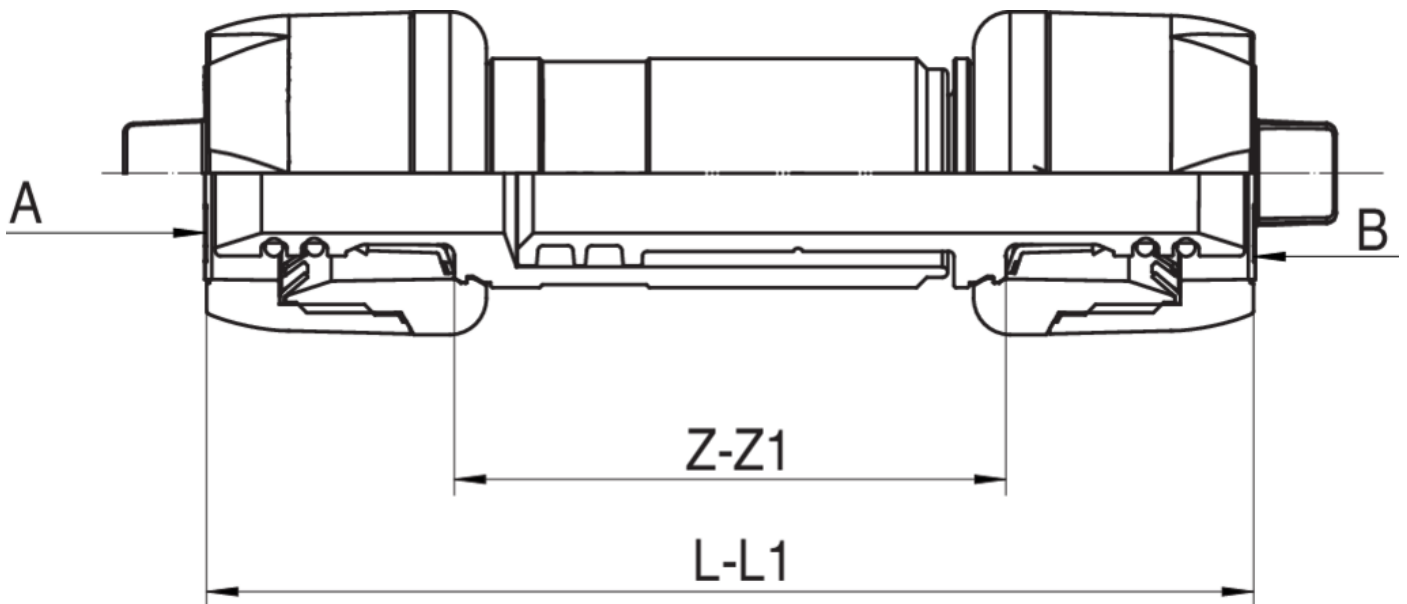


**540500**

**PATENTED**

Repair double and expansion joint.

## Technical specifications



A X B	SP	BAG	BOX	MASTER BOX	CODE	L	L1	Z	Z1
16 x 16	2	1	20	80	54050016	100,8	130	53,1	82,5
20 x 20	2	1	20	80	54050020	100,8	130	53,1	82,5

## Applications



DRINKING  
WATER



HEATING



HVAC



COMPRESSED  
AIR



INDUSTRIAL



MARINE