

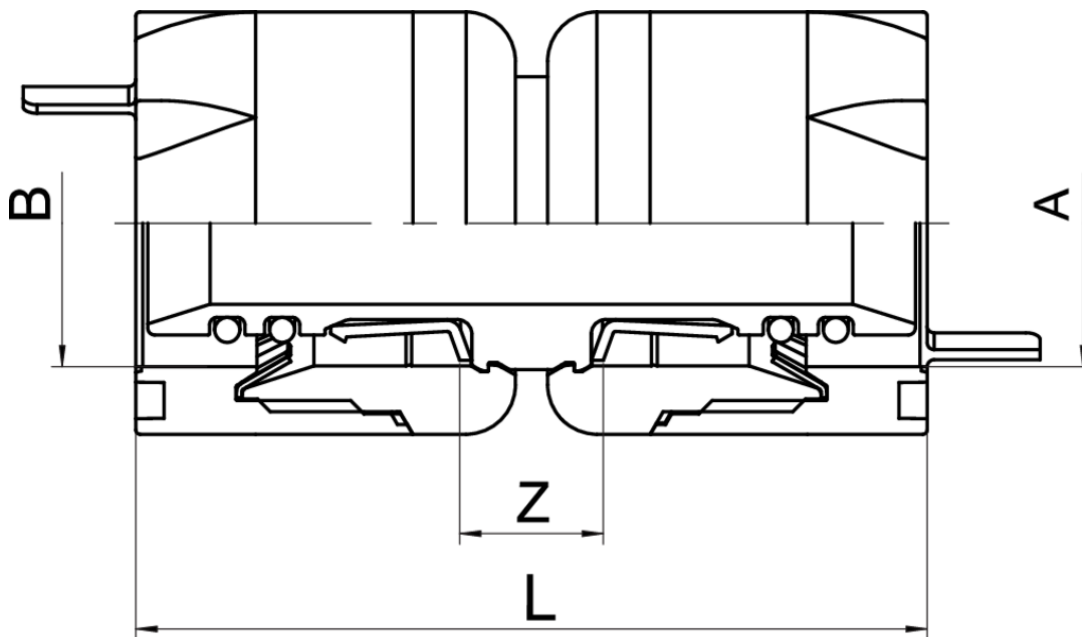
540200

PATENTED



Straight double fitting.

Technical specifications



A X B	SP	BAG	BOX	MASTER BOX	CODE	L	Z
16 x 16	2	1	30	120	54020016	56	10
20 x 20	2	1	30	120	54020020	56	10
26 x 26	3	1	20	80	54020026	61	11

Applications



DRINKING
WATER



HEATING



HVAC



COMPRESSED
AIR



INDUSTRIAL



MARINE

