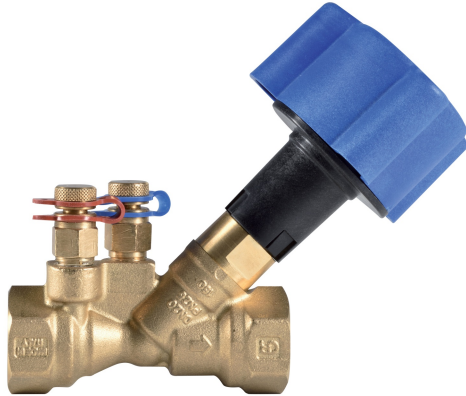


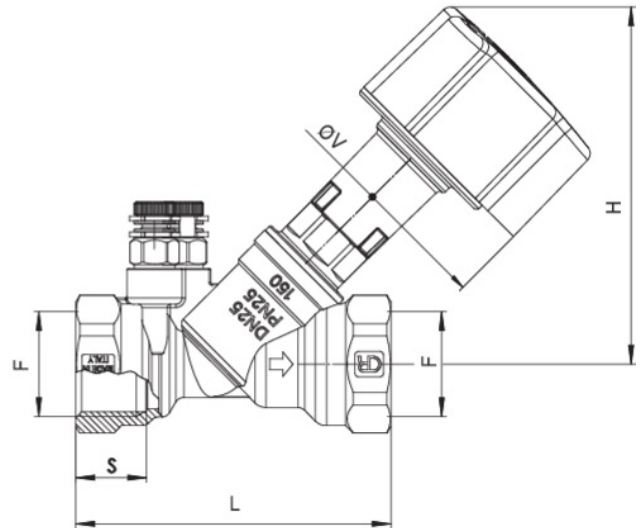
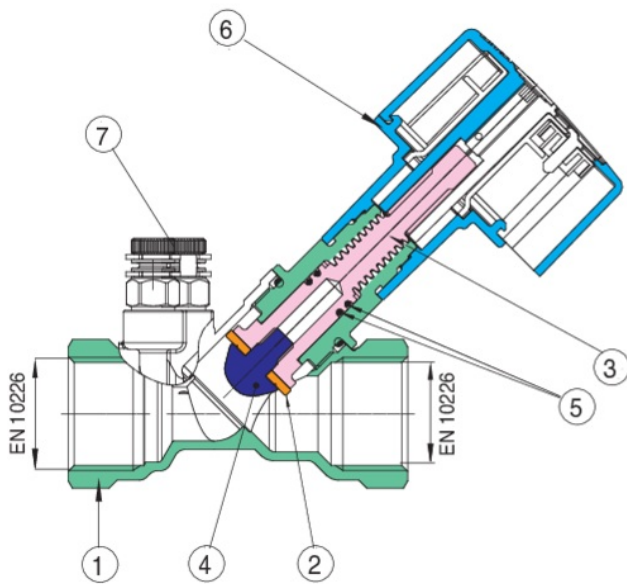
B-HEAT

200400



Balancing valve, in dezincification resistant brass with threaded connections, for the flow rate regulation in heating systems.

Technical specifications



POSITION	PART NAME	MATERIAL	N.° PIECES
1	BODY	BRASS ADZ CW602N	1
2	SEAT OBSTRUCTOR	PTFE	1
3	STEM	BRASS ADZ CW602N	1
4	OBSTRUCTOR	BRASS ADZ CW602N	1
5	O-RING	EPDM PEROX	1
6	WHEEL	PA6.6	1
7	PRESSURE TEST POINT	BRASS ADZ CW602N	1

SIZE	DN	BOX	MASTER BOX	CODE	F	H	L	S	ØV	KV	KVS VENTURI
1/2"	LF 15	1	10	2004000401	1/2"	103	87,5	17,75	80	0,952	0,81
1/2"	ULF 15	1	10	2004000402	1/2"	103	87,5	17,75	80	0,50	0,45
3/4"	20	1	6	2004000500	3/4"	106	92	19	80	4,77	4,5
1"	25	1	6	2004000600	1"	113	100	22,5	80	8,29	8,1
1"1/4	32	1	4	2004000700	1"1/4	123	118	24,75	80	13,87	15,3
1"1/2	40	1	4	2004000800	1"1/2	124	121	24,75	80	20,25	24,9
2"	50	1	2	2004001000	2"	151	153	29	80	31,05	34,5

Temperature range: -20°C +130°C.

Applications



HVAC



HEATING