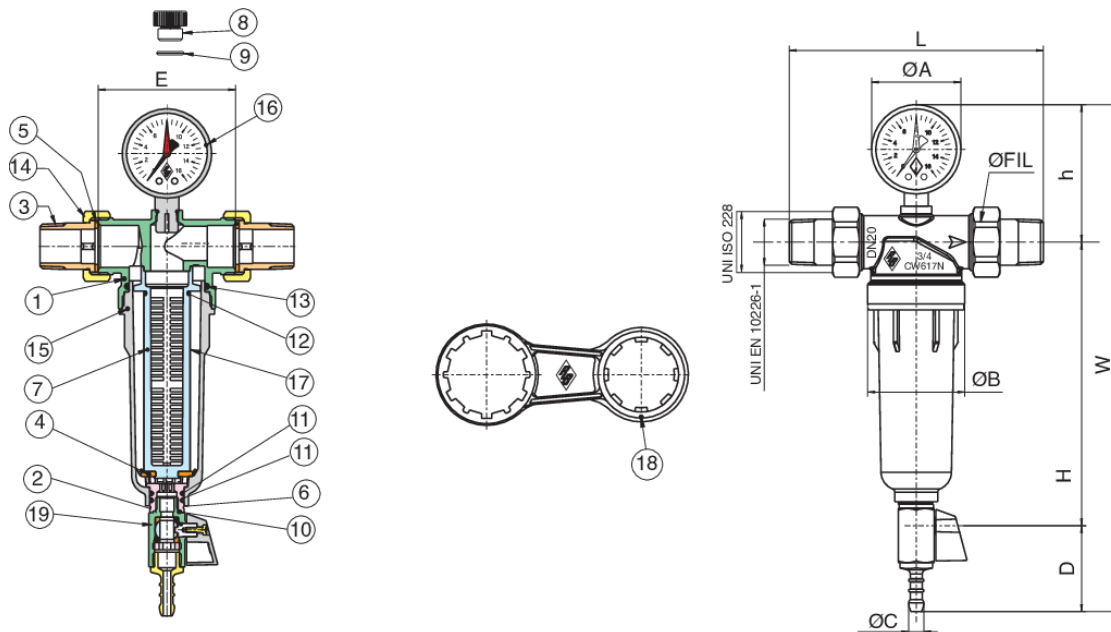


## 300200

Self-cleaning strainer, 100 micron mesh, with nut and union.



### Technical specifications



POSITION	PART NAME	MATERIAL	N.° PIECES
1	BODY	BRASS CW617N UNI EN 12165	1
2	SEEGER	HARMONIC STEEL	1
3	MALE UNION TAIL	BRASS CW617N UNI EN 12165	2
4	FLAT SEAT	NBR	1
5	FLAT SEAT	GREEN ECOLOGICAL FIBER	2
6	CONNECTION	BRASS CW614N UNI EN 12164	1
7	STREINER SUPPORT	POM	1
8	PRESSURE GAUGE CAP	POM	1
9	O-RING	NBR	1
10	O-RING	EPDM	1
11	O-RING	EPDM	2
12	O-RING	EPDM	1
13	O-RING	EPDM	1
14	NUT	BRASS CW617N UNI EN 12165	2
15	BOWL	PSU	1
16	PRESSURE GAUGE	-	1
17	METALLIC STRAINER	STAINLESS STEEL AISI 304	1
18	SERVICE KEY	PA6.6	1
19	DRAIN VALVE	-	1

SIZE	DN	BOX	MASTER BOX	CODE	ØFIL	W	H	H	ØA	ØB	ØC	ØD	E	L	KV	PN	KG
1/2"	15	1	6	30020004	3/4"	289	77	162	52	56,5	9	50	80	140	4,4	16	0,80
3/4"	20	1	6	30020005	1"	295	80	165	52	56,5	9	50	80	148	7,5	16	0,90
1"	25	1	2	30020006	1"1/4	301	83,5	167	52	56,5	9	50	100	180	8,5	16	1,28

Nominal operating temperature: equal to 30 °C, in compliance with UNI EN 13443-1 standard - for different operating conditions, consult the technical staff of Rubinetterie Bresciane Bonomi.

## Applications



DRINKING  
WATER