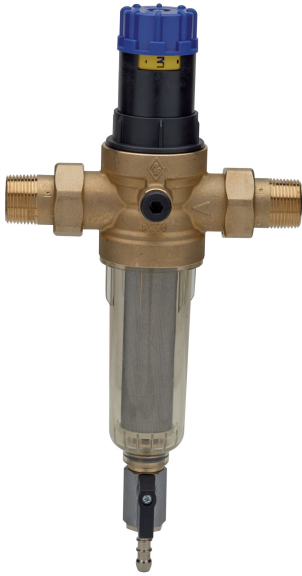
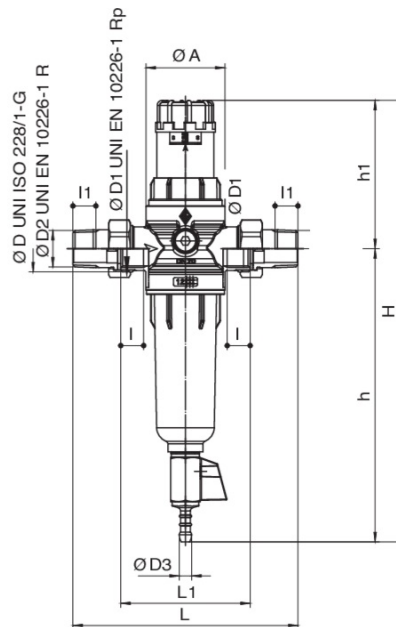
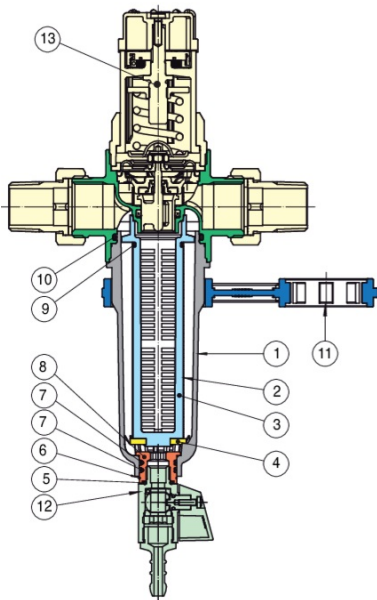


## 300050

Pressure reducing and regulating valve with balanced seat, connections with ring nut and union, outlet setting from 1,5 to 6 bar, with upstream 100 micron flow filtering system.



### Technical specifications



POSITION	PART NAME	MATERIAL	N.° PIECES
1	BOWL	PSU	1
2	METALLIC MESH STRAINER	STAINLESS STEEL AISI 304	1
3	STREINER SUPPORT	POM	1
4	FLAT SEAT	NBR	1
5	O-RING	EPDM	1
6	SEEGER	STEEL	1
7	O-RING	EPDM	2
8	CONNECTION	BRASS CW 614N	1
9	O-RING	EPDM	1
10	O-RING	EPDM PEROX	1
11	SERVICE KEY	PA6.6	4
12	ART. 3834	-	1
13	ART. 300000	-	1

SIZE	DN	BOX	MASTER BOX	CODE	ØD	ØD1	ØD2	L	L1	L	L1	ØA	H	H1	H	PN	KG
1/2"	15	1	3	30005004	3/4"	1/2"	1/2"	15	15	140	80	56	208	105	313	16	1,00
3/4"	20	1	3	30005005	1"	3/4"	3/4"	16,3	16,3	160	92	56	208	105	313	16	1,16
1"	25	1	3	30005006	1"/141	1"	1"	19,1	19,1	185	105	72	215	120	335	16	1,65
1"1/4	32	1	2	30005007	1"1/2	1"1/4	1"1/4	21,4	21,4	194	109	72	215	120	335	16	1,81

Nominal operating temperature: equal to 30 °C, in compliance with UNI EN 13443-1 standard - for different operating conditions, consult the technical staff of Rubinetterie Bresciane Bonomi.

## Applications



DRINKING  
WATER