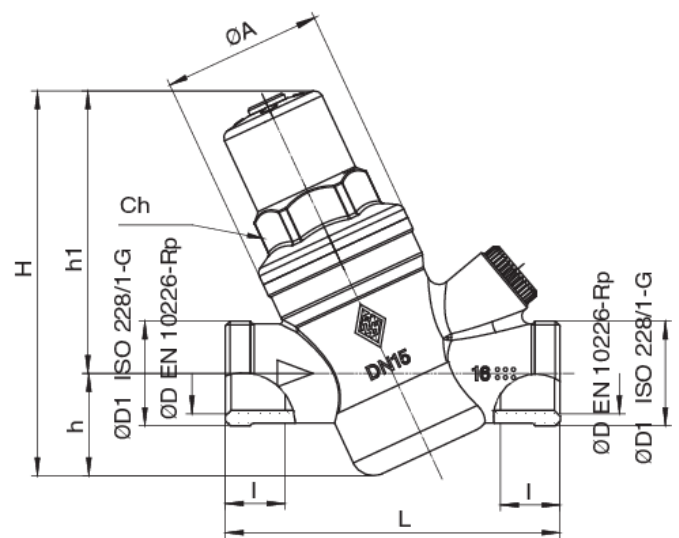
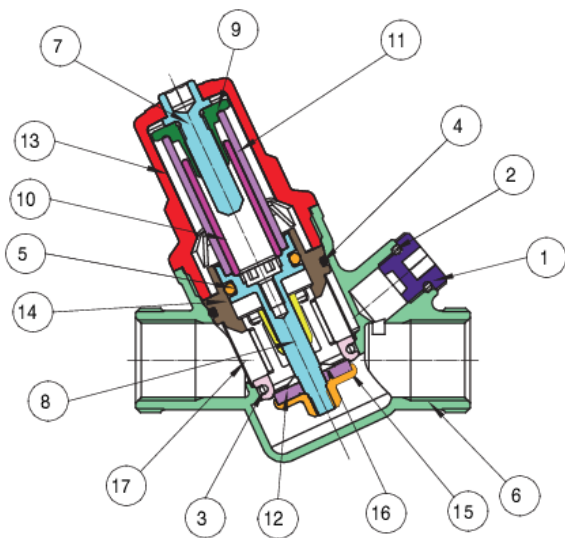


300302

Pressure reducing and regulating valve with balanced seat, outlet setting from 1,5 to 6 bar, with upstream 400 micron flow filtering system, connections.



Technical specifications



POSITION	PART NAME	MATERIAL	N.° PIECES
1	BOWL	PA6	1
2	O-RING	NBR	1
3	O-RING	EPDM	1
4	O-RING	EPDM	1
5	O-RING	EPDM	1
6	BODY	BRASS CW 617N UNI EN 12420	1
7	STEM	BRASS CW 614N UNI EN 12164	1
8	STEM	BRASS CW 614N UNI EN 12164	1
9	RING NUT	BRASS CW 614N UNI EN 12164	1
10	SPRING	STAINLESS STEEL AISI 302	1
11	SPRING	STAINLESS STEEL AISI 302	1
12	GASKET RING	NBR	1
13	CAP	PA6	1
14	SUPPORT	POM	1
15	WASHER	BRASS CW 614N UNI EN 12164	1
16	WASHER	BRASS CW 614N UNI EN 12164	1
17	STRAINER	STAINLESS STEEL AISI 316	1

SIZE	DN	BOX	MASTER BOX	CODE	ØD	ØD1	ØA	I	CH	L	H	H1	H	PN	KG
1/2"	15	1	12	30030204	1/2"	3/4"	40	15	28	84	26	71	97	16	0,33
3/4"	20	1	12	30030205	3/4"	1"	40	16,3	28	88	26	71	97	16	0,37

Temperature range (air and water) -10°C +70°C.

Applications



DRINKING
WATER