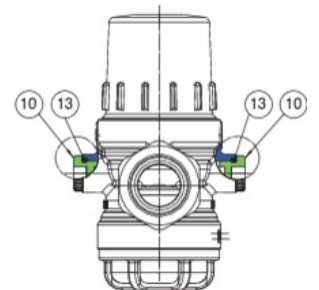
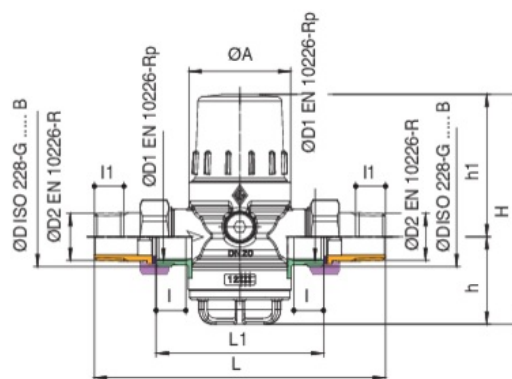
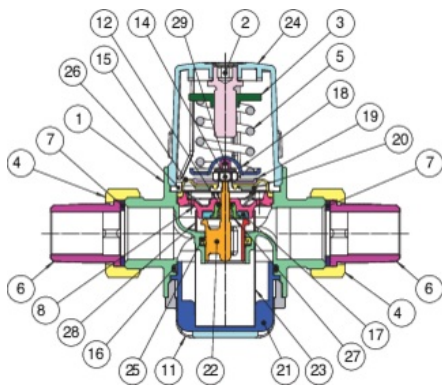


300030



Pressure reducing and regulating valve with balanced seat, outlet setting from 1,5 to 6 bar, with upstream 500 micron flow filtering system, connections with ring nut and union.

Technical specifications



POSITION	PART NAME	MATERIAL	N.° PIECES
1	BODY	BRASS CW617N UNI EN 12165	1
2	STEM	BRASS CW614N UNI EN 12164	1
3	RING NUT	BRASS CW614N UNI EN 12164	1
4	NUT	BRASS CW617N UNI EN 12165	2
5	SPRING	STEEL C85 CL C	1
6	MALE UNION TAIL	BRASS CW617N UNI EN 12165	2
7	FLAT SEAT	FIBER	2
8	SUPPORT	POM	1
9	BOWL	BRASS CW614N UNI EN 12164	2
10	BOWL	PA6	2
11	BOWL	BRASS CW617N UNI EN 12165	1
12	O-RING	NBR	1
13	O-RING	NBR	2
14	NUT	STAINLESS STEEL AISI 304	1
15	MEMBRANE	NBR	1
16	O-RING	EPDM PEROX	1
17	FLAT SEAT	NBR	1
18	WASHER	STEEL DD11	1
19	WASHER	STEEL DD11	1
20	WASHER	BRASS CW614N UNI EN 12168	1
21	CRANK CASE	PA12	1
22	OBSTRUCTOR	STEEL 1.4408	1
23	STRAINER	STAINLESS STEEL AISI 304	1
24	CAP	PA6.6	1
25	SEAT	NBR	1
26	BUSH	POM	1
27	RING NUT	BRASS CW614N UNI EN 12168	1
28	SPRAY NOZZLE	STAINLESS STEEL AISI 304	1
29	SUPPORT	BRASS CW614N UNI EN 12168	1

SIZE	DN	BOX	MASTER BOX	CODE	ØD	ØD1	ØD2	ØA	H	H1	H	L	L1	L	I1	PN	KG
1/2"	15	1	6	30003004	3/4"	1/2"	1/2"	56	48	78,5	127	140	80	15	15	30	0,74
3/4"	20	1	6	30003005	1"	3/4"	3/4"	56	48	78,5	127	160	92	16,3	16,3	30	0,89
1"	25	1	4	30003006	1"1/4	1"	1"	72	54,5	94	149	185	105	19,1	19,1	30	1,44
1"1/4	32	1	4	30003007	1"1/2	1"1/4	1"1/4	72	54,5	94	149	194	109	21,4	21,4	30	1,60
1"1/2	40	1	2	30003008	2"	1"1/2	1"1/2	95,5	70	168	238	221	130	21,4	21,4	30	3,81
2"	50	1	2	30003010	2"1/2	2"	2"	95,5	70	168	238	238	140	25,7	25,7	30	4,97

*The 1"1/2 and 2" size are supplied without spray nozzle.

Temperature range (air and water) -10°C +70°C.

Art. 300032: without male union tails.

Applications



DRINKING
WATER