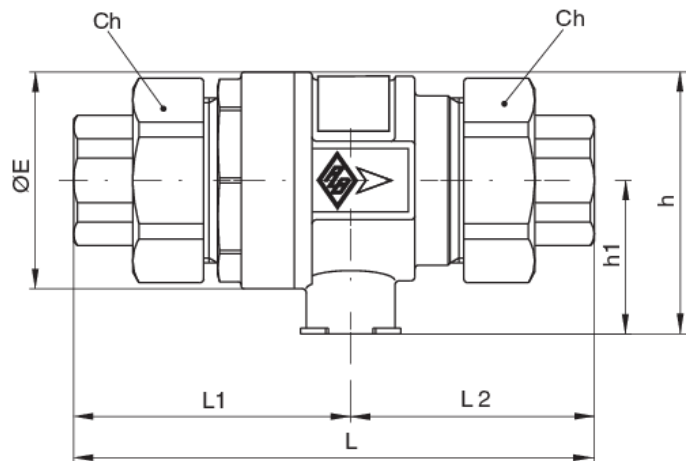
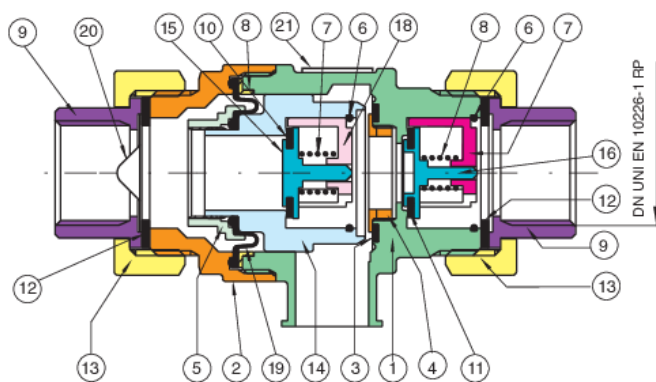


200000

PATENTED

Non controllable backflow preventer with different pressure zones, family "C" type "A".

Technical specifications



POSITION	PART NAME	MATERIAL	N.° PIECES
1	BODY	BRASS CW617N UNI EN 12165	1
2	END CONNECTION	BRASS CW617N UNI EN 12165	1
3	BUSH	BRASS CW614N UNI EN 12164	1
4	RING NUT	BRASS CW614N UNI EN 12164	1
5	RING NUT	BRASS CW617N UNI EN 12165	1
6	SEEGER	STAINLESS STEEL AISI 302	2
7	SPRING	STAINLESS STEEL AISI 302	1
8	SPRING	STAINLESS STEEL AISI 302	1
9	CONNECTION	BRASS CW617N UNI EN 12165	2
10	FLAT SEAT	NBR	1
11	FLAT SEAT	NBR	4
12	FLAT SEAT	FIBER	2
13	NUT	BRASS CW617N UNI EN 12165	2
14	OBSTRUCTOR	BRASS CW617N UNI EN 12165	1
15	OBSTRUCTOR	BRASS CW617N UNI EN 12165	1
16	OBSTRUCTOR	BRASS CW617N UNI EN 12165	1
17	OBSTRUCTOR GUIDE	BRASS CW617N UNI EN 12165	1
18	OBSTRUCTOR GUIDE	BRASS CW617N UNI EN 12165	1
19	MEMBRANE	NBR	1
20	STRAINER	STAINLESS STEEL AISI 304	1
21	METALLIC LABEL	ALUMINIUM EN-AC 46100 EN 1706	1

SIZE	DN	BOX	MASTER BOX	CODE	L	L1	L2	CH	H	H1	ØE	PN	KG
1/2"	15	1	16	20000004	132	69,2	60,7	47	66,5	39	55	10	1,20
3/4"	20	1	16	20000005	132	69,2	60,7	47	66,5	39	55	10	1,15

Temperature range: -20°C +100°C.

Applications



DRINKING
WATER