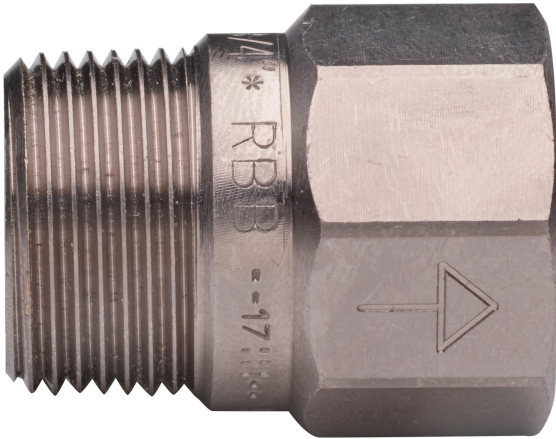
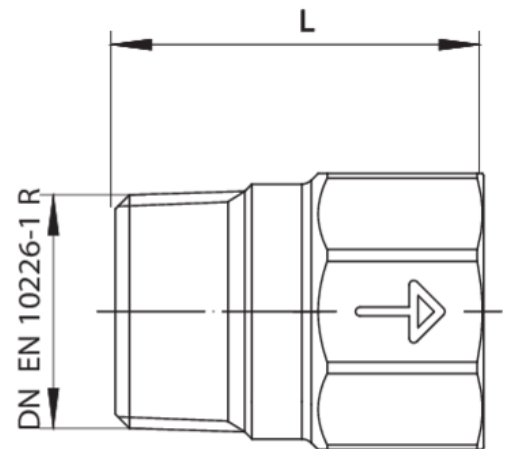
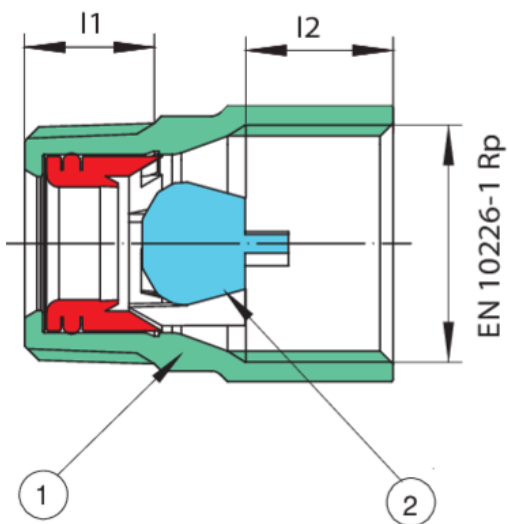


100211

T.E.A.@compact check valve, reduced bore, M/F threaded.



Technical specifications



POSITION	PART NAME	MATERIAL	N.° PIECES
1	BODY	BRASS CW614N UNI EN 12164	1
2	CHECK VALVE	POM	1

SIZE	DN	BOX	MASTER BOX	CODE	I1	I2	CH	L	PRESSIONE MASSIMA 150MBAR - PRESSURE DROP MAX 150MBAR	PN	KG
1/2"	15	80	160	10021104	13,5	15,5	25	35,5	0.45 l/s	16	0,061
3/4"	20	50	200	10021105	14,5	16,3	31	41,2	0.8 l/s	16	0,10
1"	25	50	100	10021106	16,8	19,1	38	49,5	1.4 l/s	16	0,18

Temperature range: -20°C +100°C.

Applications



DRINKING
WATER