

EUROBLOCK

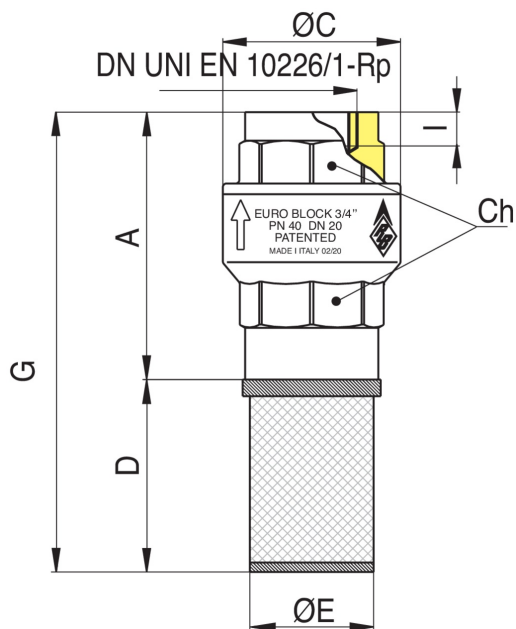
100101

PATENTED



Full bore foot valve, female thread, with stainless steel strainer and **Viton®** seat suitable for application with not halogenated hydrocarbons and fuels (gasolines, kerosene...).

Technical specifications



SIZE	DN	BOX	MASTER BOX	CODE	I	CH	ØC	A	D	ØE	G	KV	PN	KG
3/8"	10	20	80	10010103	11,4	20	27	47	42,5	20	89,5	1,8	40	0,15
1/2"	15	15	60	10010104	15	25	34,5	59	43	23	102	7,9	40	0,15
3/4"	20	10	40	10010105	16,3	31	42	65	48	29	113	13	40	0,23
1"	25	10	20	10010106	19,1	38	49	75	48	38	123	19	25	0,34
1"1/4	32	6	12	10010107	21,4	48	61	83	57	45	140	29,5	25	0,57
1"1/2	40	4	8	10010108	21,4	54	73	89	68	50	157	44,6	16	0,82
2"	50	2	4	10010110	25,7	67	88	101,5	83	62	184,5	61,3	16	1,20
2"1/2	65	2	4	10010112	30,2	83	111,5	121	83,5	82	204,5	77,5	16	1,82
3"	80	1	2	10010114	33,3	98	133	136	99	94	235	121,9	16	2,79
4"	100	-	2	10010118	39,3	128	163	158	115	117	273	189,8	16	4,92

Temperature range: -10°C +150°C.

Applications



DRINKING
WATER