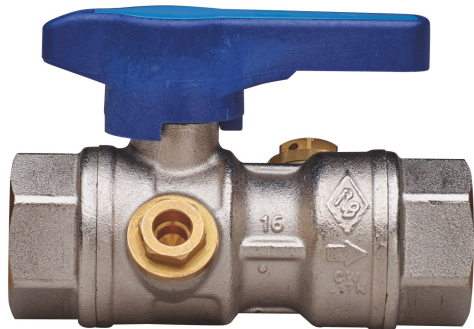


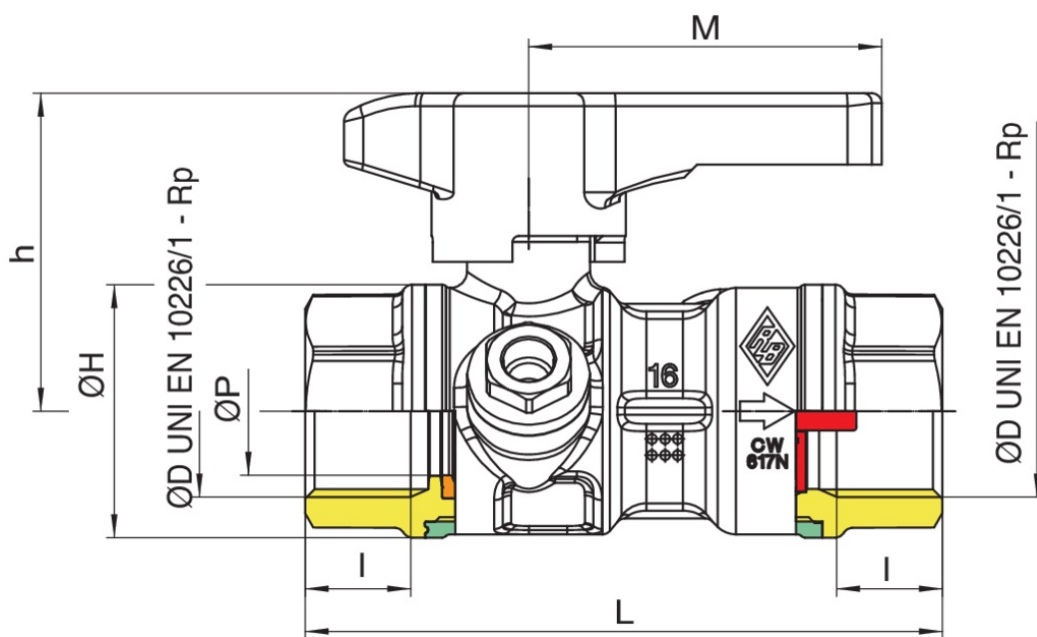
BUBBLE-SFER

2U40



Water full bore ball valve with meter's exit, thread F/F, **large** check valve incorporated, pressure measurement connection, technopolymer handle and ball with automatic rinse system.

Technical specifications



SIZE	BOX	MASTER BOX	CODE	I	ØH	L	M	H	KV	PN	KG
1/2"	30	60	2U40040000	15	33	86	54,5	41,5	9	64	0,36
3/4"	20	40	2U40050000	16,3	39	98,5	54,5	49	14	64	0,50

Applications



DRINKING
WATER



MULTIUTILITY ONLY

