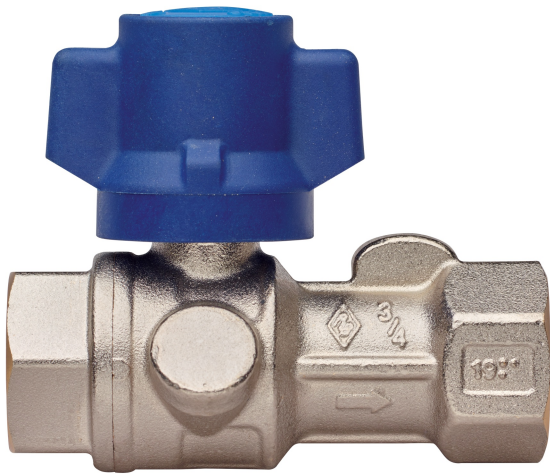


## BUBBLE-SFER

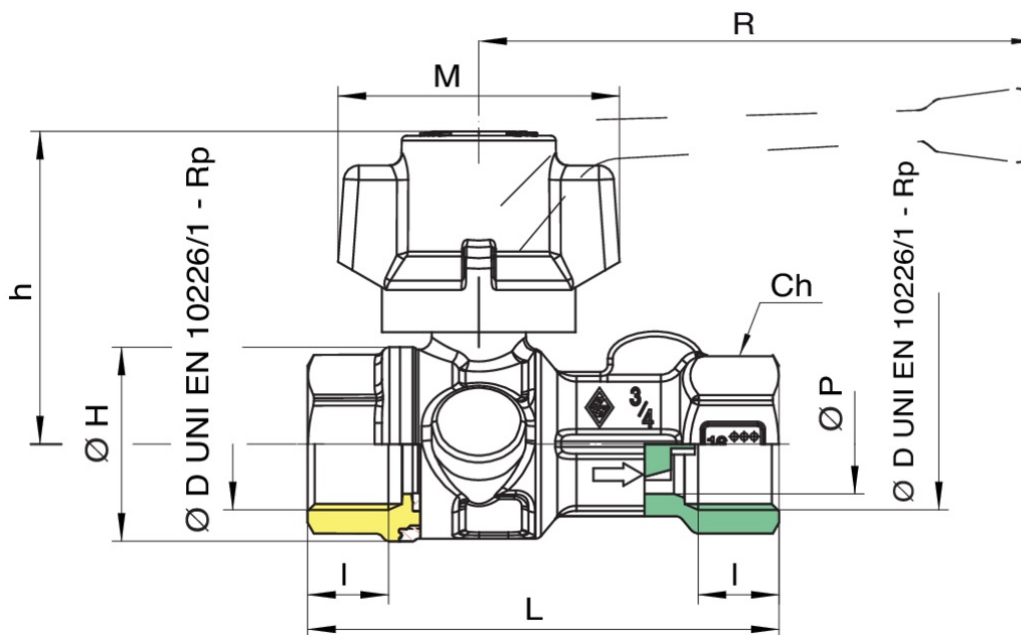
### 6709

### PATENTED



Water full bore ball valve for meter exit, threaded F/F, check valve incorporated, with anti-tampering handle/T-handle, without pressure measurement connections and ball with automatic rinsing system.

### Technical specifications



SIZE	DN	BOX	MASTER BOX	CODE	ØP	I	L	ØH	CH	M	H	R	H1	KV	PN	KG
1/2"	15	10	40	6709040000	15	15	80,5	33	27	57	55,5	-	-	4,6	64	0,33
3/4"	20	10	40	6709050000	20	16,3	95	39	32	57	63	-	-	8,8	64	0,48
1"	25	10	20	6709060000	25	19,1	110,5	49	38	57	66,5	-	-	15	64	0,70
1"1/4**	32	6	12	6709070000	32	21,4	126	59	48	-	-	160	74	22	50	1,11
1"1/2**	40	4	8	6709080000	40	21,4	143,5	73	54	-	-	160	80,5	32	40	1,59
2**	50	2	4	6709100000	50	25,7	175	87	67	-	-	170	91	55	40	2,50

\*Version with aluminium handle and anti-tampering device.

# Applications

---



DRINKING  
WATER



MULTIUTILITY ONLY