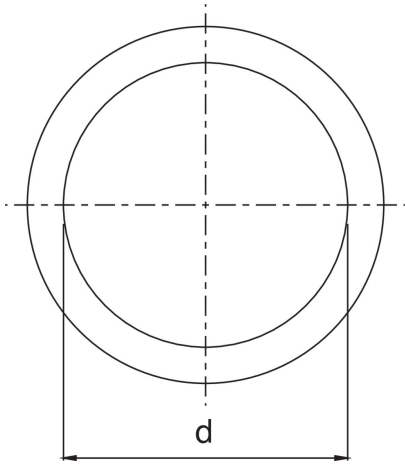


OT2151

Washer.



Technical specifications



D	BAG	MASTER BOX	CODE
8	10	10	OT215100800000
10	10	10	OT215101000000
12	10	10	OT215101200000
14	10	10	OT215101400000
16	10	10	OT215101600000
18	10	10	OT215101800000
22	10	10	OT215102200000
28	10	10	OT215102800000

Applications



DRINKING
WATER



HEATING



HVAC



GAS



COMPRESSED
AIR