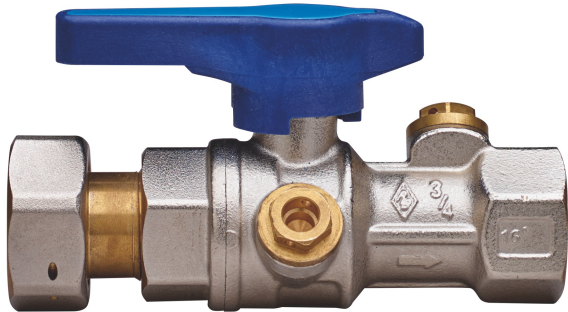


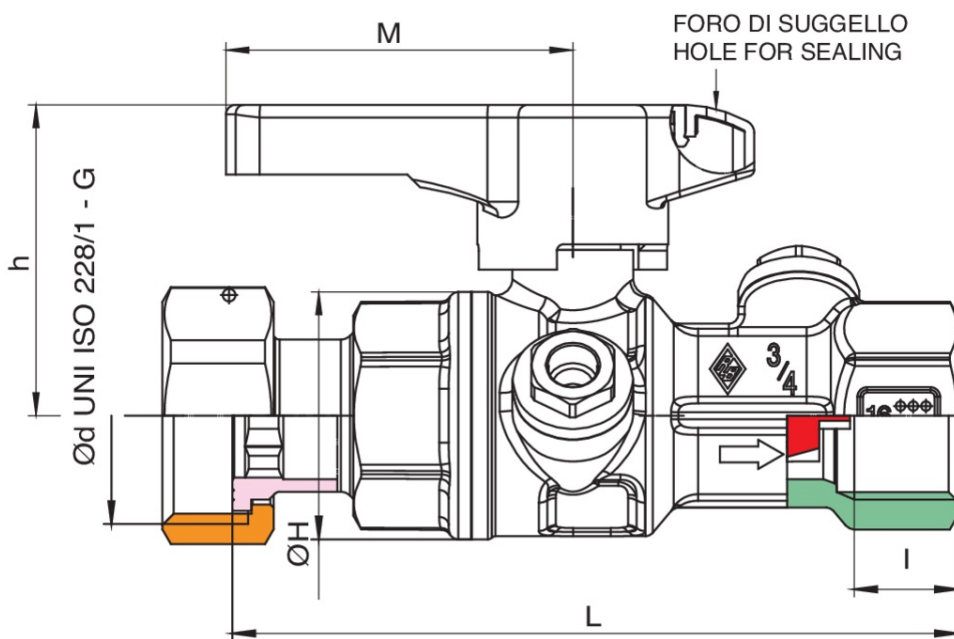
BUBBLE-SFER

2U44



Water full bore ball valve with meter's exit, thread female/nut, check valve incorporated, pressure measurement connection, technopolymer handle and ball with automatic rinse system.

Technical specifications



SIZE	BOX	MASTER BOX	CODE	I	ØH	L	M	H	KV	PN	KG
1/2" x 3/4"	10	40	2U44260000	15	33	97,5	54,5	41,5	5	64	0,39
3/4" x 1"	10	20	2U44580000	16,3	39	104	54,5	49	8,8	64	0,59
1" x 1 1/4"	6	12	2U44290000	19,1	49	132,5	54,5	53	14,6	64	0,91

Applications



DRINKING
WATER



MULTIUTILITY ONLY

