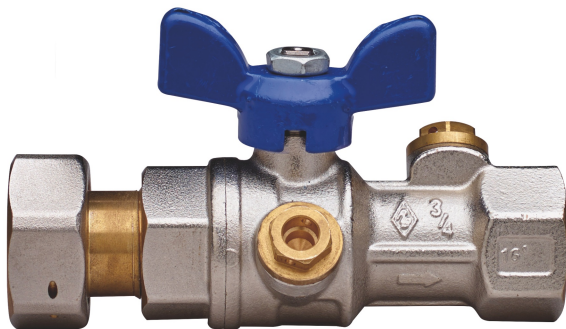


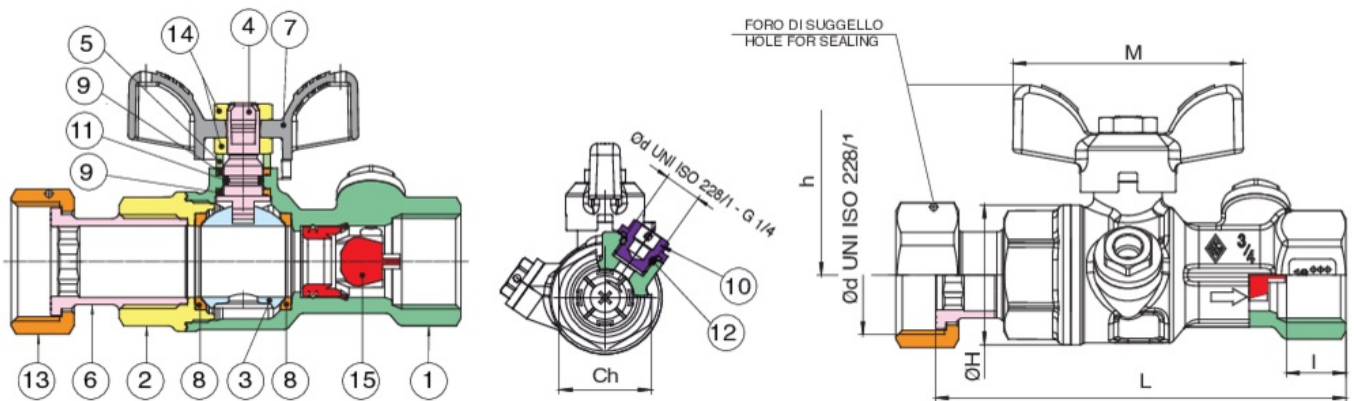
BUBBLE-SFER

2U24



Water full bore ball valve with meter's exit, thread female/nut, check valve incorporated, pressure measurement connection aluminium butterfly handle and ball with automatic rinse system.

Technical specifications



POSITION	PART NAME	MATERIAL	N.° PIECES
1	BODY	BRASS CW617N UNI EN 12420	1
2	END CONNECTION	BRASS CW617N UNI EN 12420	1
3	BALL	BRASS CW617N UNI EN 12420	1
4	STEM	BRASS CW614N UNI EN 12164	1
5	PACKING GLAND	BRASS CW614N UNI EN 12164	1
6	MALE UNION TALE	BRASS CW614N UNI EN 12164	1
7	T-HANDLE	ALUMINIUM EN-AC 46100	1
8	BALL SEAT	PTFE	2
9	STEM SEAL/THRUST WASHER	PTFE	2
10	CAP	BRASS CW614N UNI EN 12164	2
11	O-RING	NBR	1
12	O-RING	NBR	2
13	NUT	BRASS CW617N UNI EN 121420	1
14	NUT	STEEL CL 04	2
15	CHECK VALVE	POM	1

ØD X ØD	BOX	MASTER BOX	CODE	ØP	I	CH	ØH	L	H	M	KV	PN	KG
1/2" x 3/4"	10	40	2U24260000	15	15	27	33	97,5	41,5	50	5	64	0,39
3/4" x 1"	10	20	2U24580000	20	16,3	32	39	104	53	64	8,8	64	0,59
1" x 1"1/4	6	12	2U24290000	25	19,1	38	49	132,5	57	64	14,6	64	0,91

Applications



DRINKING
WATER



MULTIUTILITY ONLY