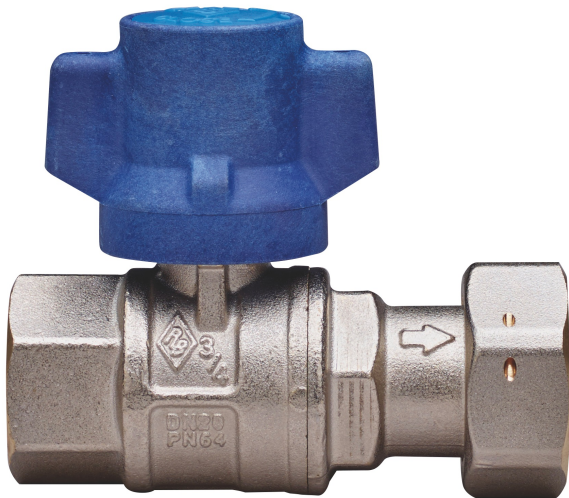


## BUBBLE-SFER

2099

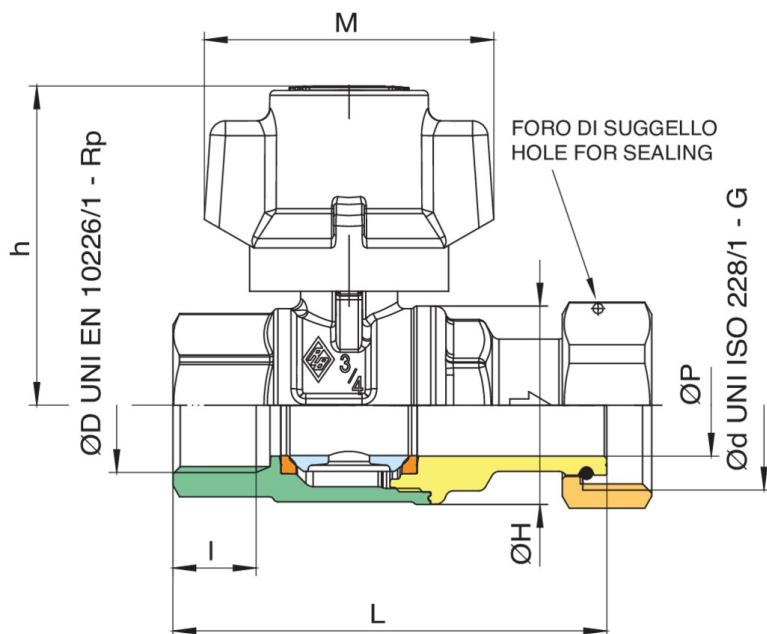
**PATENTED**



Full bore ball valve, for water meter's entrance, thread female/ring nut, with **anti-tampering** T-handle and ball with automatic rinse system.



### Technical specifications



ØD X ØD	BOX	MASTER BOX	CODE	ØP	I	ØH	L	H	M	KV	PN	KG
1/2" x 3/4"	10	40	2099260000	15	15	33	75	55,5	57	16,3	64	0,32
3/4" x 1"	10	20	2099580000	20	16,3	39	85	63	57	29,5	64	0,46

# Applications

---



DRINKING  
WATER



MULTIUTILITY ONLY