

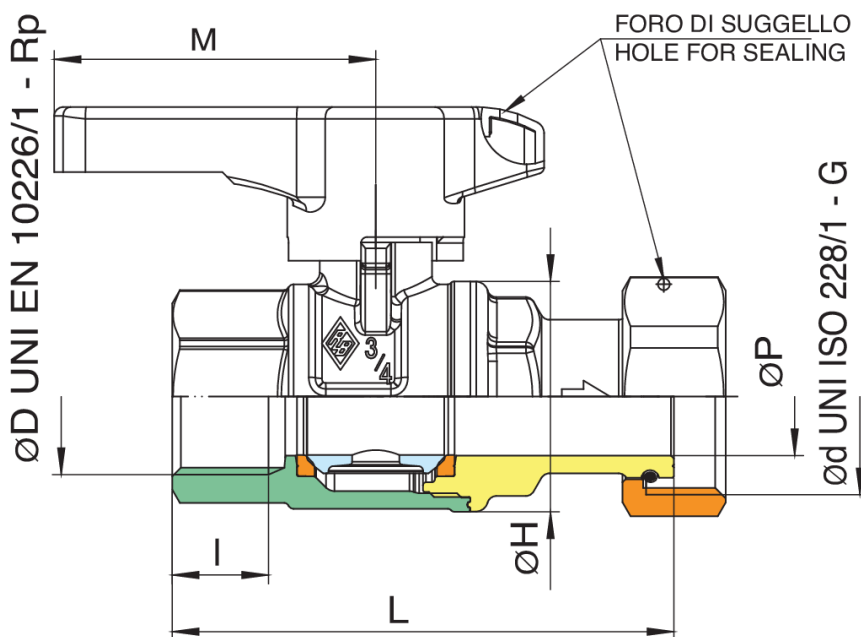
BUBBLE-SFER

2049



Water full bore ball valve with meter's entrance, thread female/nut, check valve incorporated, technopolymer handle and ball with automatic rinse system.

Technical specifications



ØD X ØD	DN	BOX	MASTER BOX	CODE	ØP	I	ØH	L	H	M	KV	PN	KG
1/2" x 3/4"	15	10	40	2049260000	15	15	33	75	41,5	54,5	16,3	64	0,30
3/4" x 1"	20	10	20	2049580000	20	16,3	39	85	49	54,5	29,5	64	0,44

Applications



DRINKING
WATER



MULTIUTILITY ONLY

