

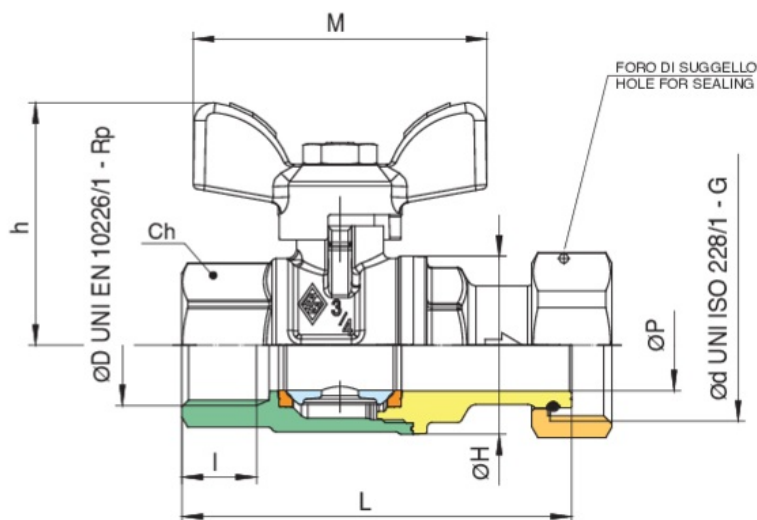
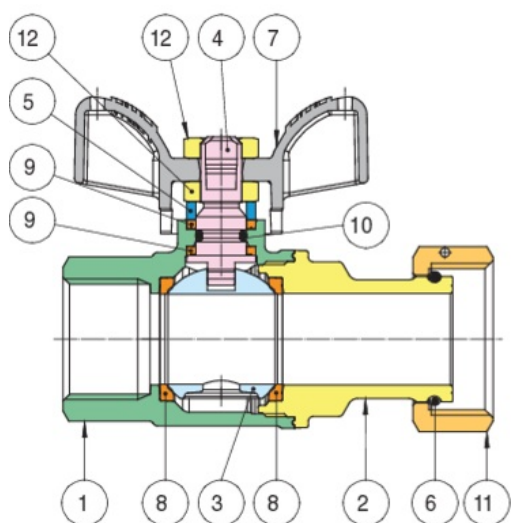
BUBBLE-SFER

2029



Water full bore ball valve with meter's entrance, thread female/nut, aluminium butterfly handle and ball with automatic rinse system.

Technical specifications



POSITION	PART NAME	MATERIAL	N.° PIECES
1	BODY	BRASS CW617N UNI EN 12420	1
2	END CONNECTION	BRASS CW617N UNI EN 12420	1
3	BALL	BRASS CW617N UNI EN 12420	1
4	STEM	BRASS CW614N UNI EN 12164	1
5	PACKING GLAND	BRASS CW614N UNI EN 12164	1
6	CIRCLIP	STEEL	1
7	T-HANDLE	ALUMINIUM EN-AC 46100	1
8	BALL SEAT	PTFE	2
9	STEM SEAL/THRUST WASHER	PTFE	2
10	O-RING	NBR	1
11	NUT	BRASS CW617N UNI EN 12420	1
12	NUT	STEEL CL 04	2

ØD X ØD	BOX	MASTER BOX	CODE	ØP	I	CH	ØH	L	H	M	KV	PN	KG
1/2" x 3/4"	10	40	2029260000	15	15	27	33	75	41	50	16,3	64	0,29
3/4" x 1"	10	20	2029580000	20	16,3	32	39	85	53	64	29,5	64	0,44

Applications



DRINKING
WATER



MULTIUTILITY ONLY