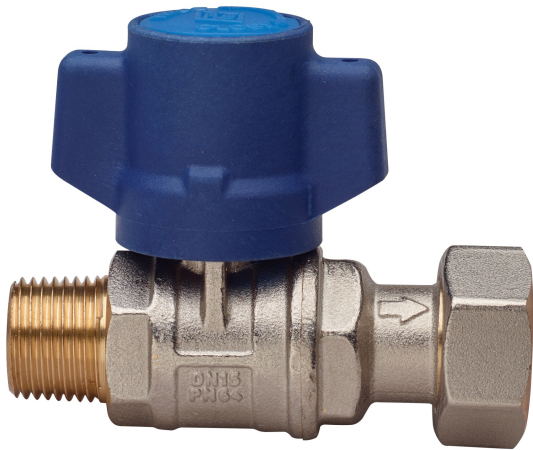


BUBBLE-SFER

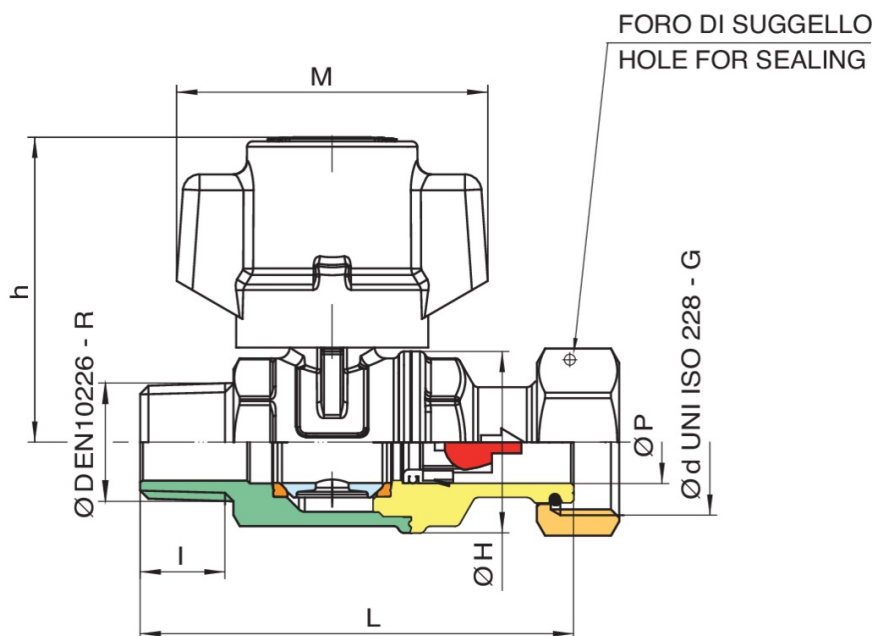
2095

PATENTED



Full bore ball valve for water meter entry, Male threaded/nut connection, check valve incorporated, with anti-tampering T-handle and ball with automatic rinsing system.

Technical specifications



ØD X ØD	BOX	MASTER BOX	CODE	ØP	I	CH	ØH	L	H	M	KV	PN	KG
1/2" x 3/4"	10	20	2095260000	15	15	27	33	79	55,5	57	4,6	64	0,31

Applications



DRINKING
WATER



MULTIUTILITY ONLY