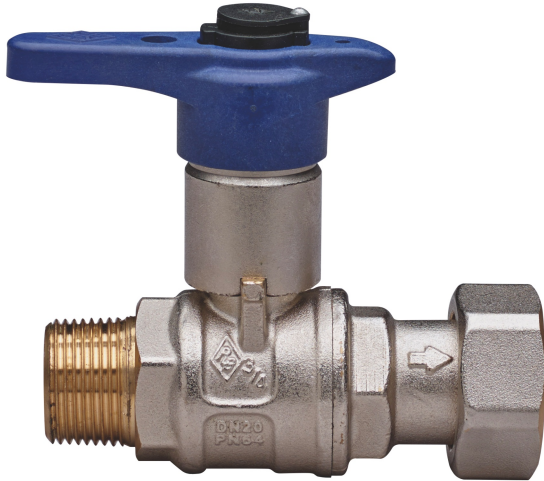


BUBBLE-SFER

2068

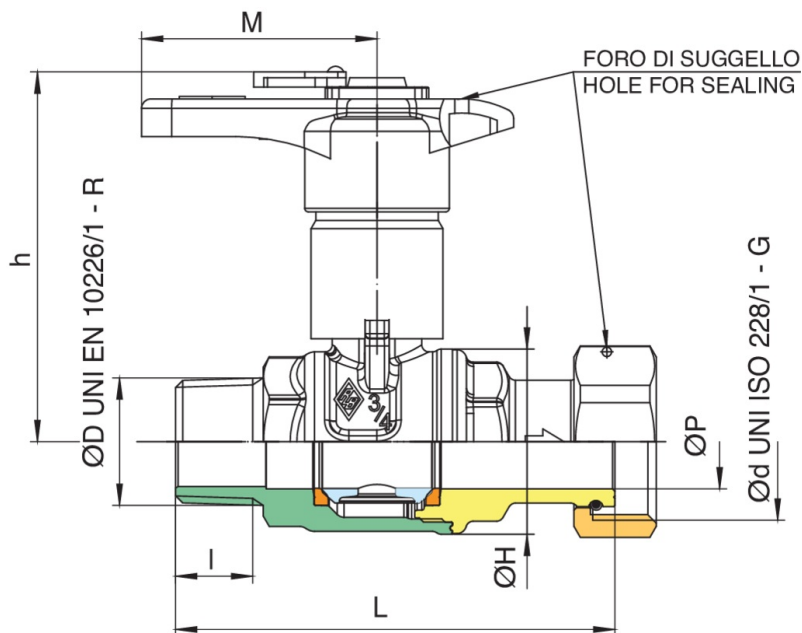
PATENTED



Water full bore ball valve with meter's entrance, thread male/nut, technopolymer handle, extractable and replaceable security lock and ball with automatic rinse system.



Technical specifications



ØD X ØD	BOX	MASTER BOX	CODE	ØP	I	ØH	L	H	M	KV	PN	KG
1/2" x 3/4"	20	80	2068260020	15	15	33	79	68,5	50	16,3	64	0,36
3/4" x 1"	20	40	2068580020	20	16,3	39	93,2	78	50	29,5	64	0,55

Applications



DRINKING
WATER



MULTIUTILITY ONLY