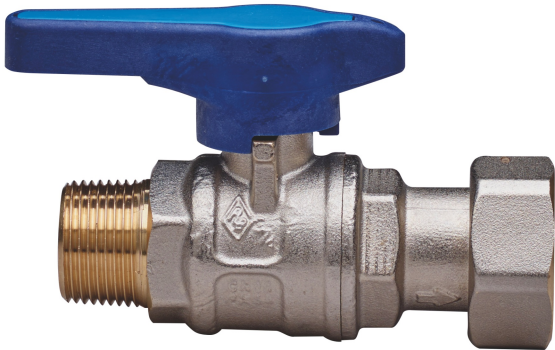


BUBBLE-SFER

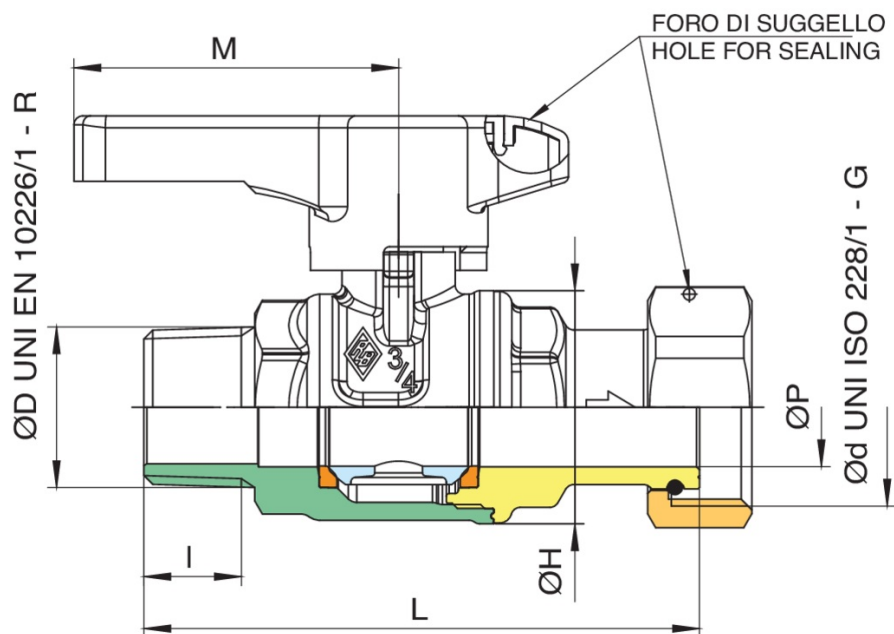
2048

PATENTED



Water full bore ball valve with meter's entrance, thread male/nut, technopolymer handle and ball with automatic rinse system.

Technical specifications



| ØD X ØD | BOX | MASTER BOX | CODE | ØP | I | ØH | L | H | M | KV | PN | KG |
|-------------|-----|------------|------------|----|------|----|------|------|------|------|----|------|
| 1/2" x 3/4" | 10 | 40 | 2048260000 | 15 | 15 | 33 | 79 | 41,5 | 54,5 | 16,3 | 64 | 0,28 |
| 3/4" x 1" | 10 | 20 | 2048580000 | 20 | 16,3 | 39 | 93,2 | 49 | 54,5 | 29,5 | 64 | 0,46 |

Applications



DRINKING
WATER



MULTIUTILITY ONLY

