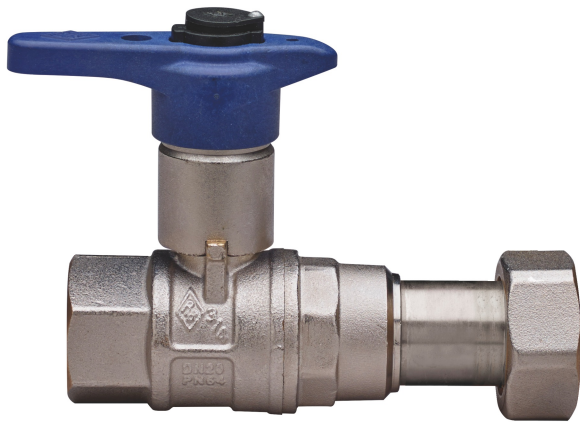


## BUBBLE-SFER

2067

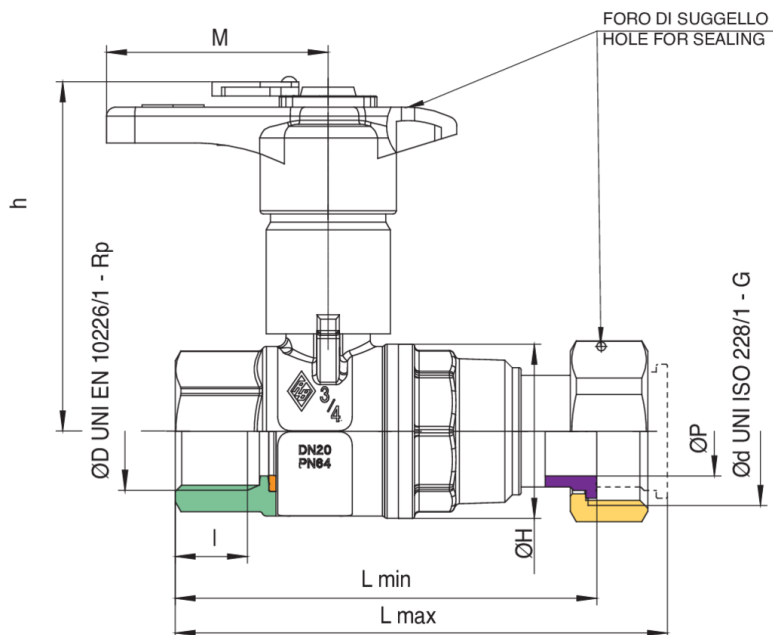
**PATENTED**



Water full bore ball valve with meter's entrance, thread female/telescopic fitting, tecnopolymer handle, extractable and replaceable security lock and ball with automatic rinse system.



### Technical specifications



ØD X ØD	BOX	MASTER BOX	CODE	ØP	I	CH	ØH	L MIN	L MAX	H	M	KV	PN	KG
1/2" x 3/4"	20	80	2067260020	15	15	27	33	87,5	101	69	50	16,3	64	0,39
3/4" x 1"	20	40	2067580020	20	16,3	32	39	95	111	78	50	29,5	64	0,58

# Applications

---



DRINKING  
WATER



MULTIUTILITY ONLY