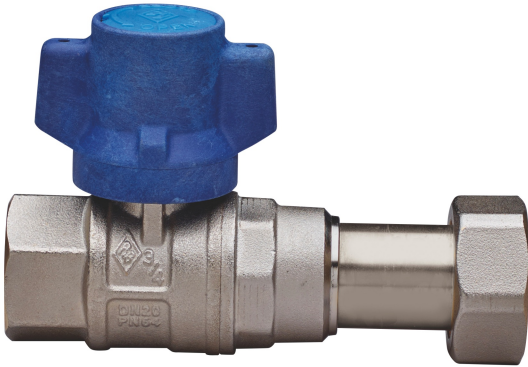


BUBBLE-SFER

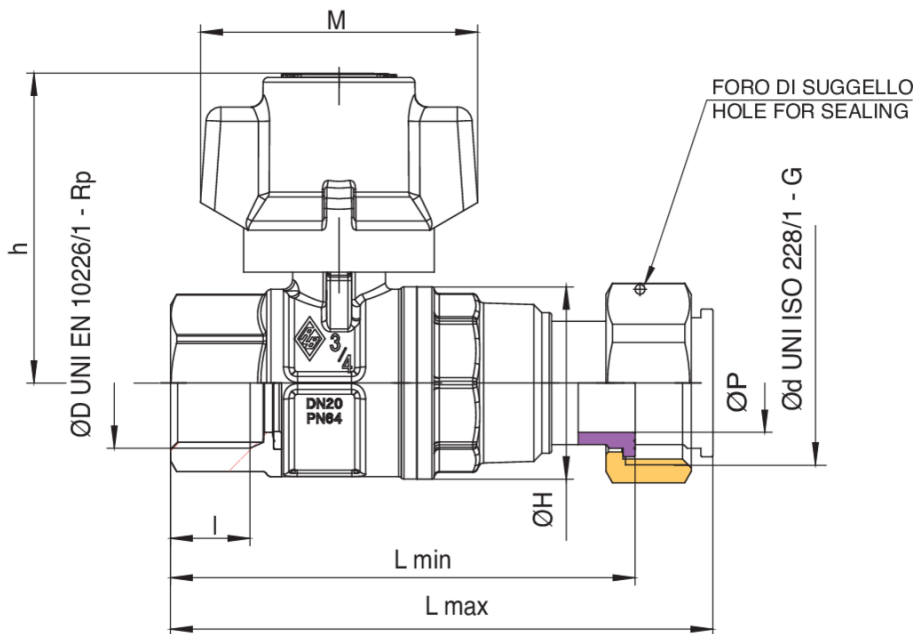
2097

PATENTED



Full bore ball valve, for water meter's entrance, thread female/telescopic fitting, with **anti-tampering** T-handle and ball with automatic rinse system.

Technical specifications



ØD X ØD	BOX	MASTER BOX	CODE	ØP	I	ØH	L MIN	L MAX	H	M	KV	PN	KG
1/2" x 3/4"	10	40	2097260000	15	15	33	87,5	101	55,5	57	16,3	64	0,35
3/4" x 1"	10	20	2097580000	20	16,3	39	95	111	66,5	57	29,5	64	0,51

Applications



DRINKING
WATER



MULTIUTILITY ONLY