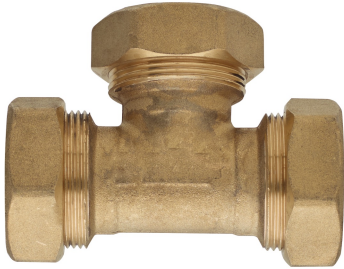
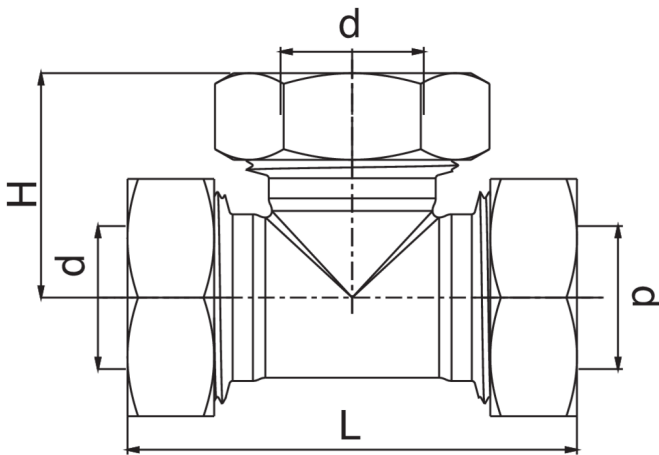


## OT2005

F/F/F tee.



### Technical specifications



| D  | BAG | MASTER BOX | CODE            | H    | L    |
|----|-----|------------|-----------------|------|------|
| 10 | 10  | 100        | OT2005010010010 | 34   | 65   |
| 12 | 5   | 100        | OT2005012012012 | 35   | 69,5 |
| 14 | 5   | 50         | OT2005014014014 | 36,5 | 71   |
| 16 | 5   | 50         | OT2005016016016 | 38   | 75,5 |
| 18 | 10  | 50         | OT2005018018018 | 39   | 78   |
| 22 | 5   | 30         | OT2005022022022 | 40   | 80,5 |

### Applications

