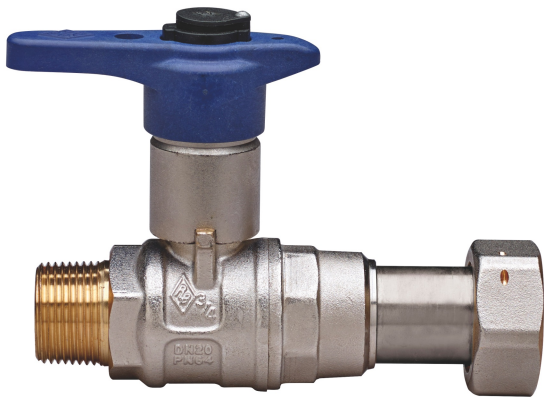


BUBBLE-SFER

2066

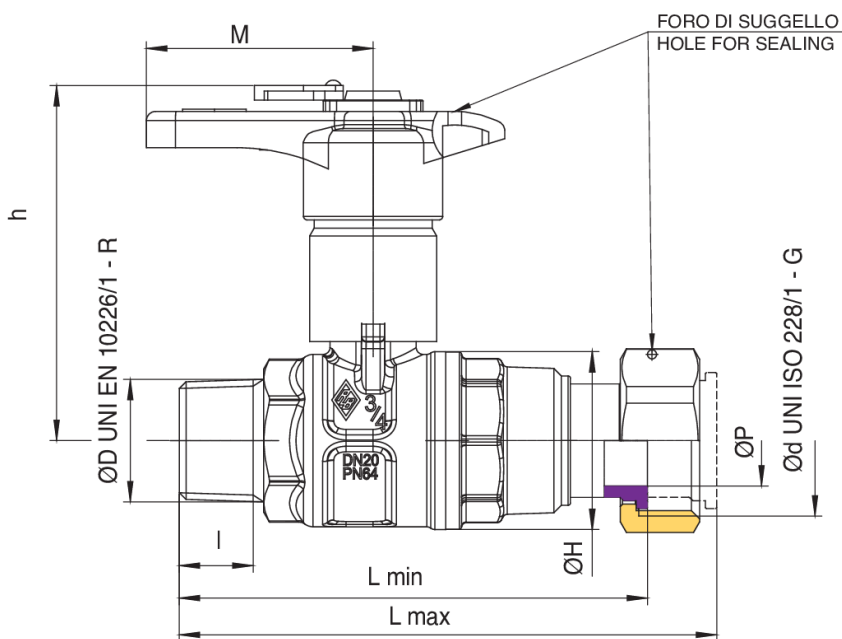
PATENTED



Water full bore ball valve with meter's entrance, thread male/telescopic fitting, tecopolymer handle, extractable and replaceable security lock and ball with automatic rinse system.



Technical specifications



ØD X ØD	BOX	MASTER BOX	CODE	ØP	I	CH	ØH	L MIN	L MAX	H	M	KV	PN	KG
1/2" x 3/4"	20	80	2066260020	15	15	27	33	91,5	105	69	50	16,3	64	0,38
3/4" x 1"	20	40	2066580020	20	16,3	32	39	103	118,5	78	50	29,5	64	0,60

Applications



DRINKING
WATER



MULTIUTILITY ONLY