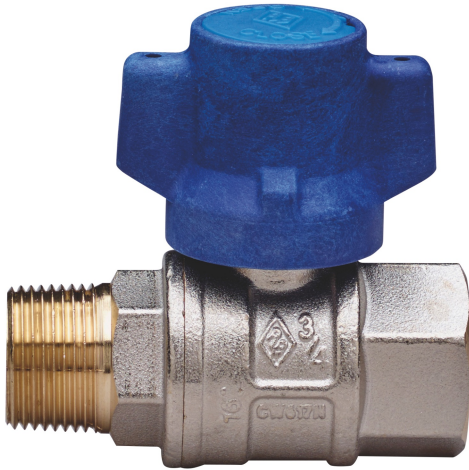


BUBBLE-SFER

2091

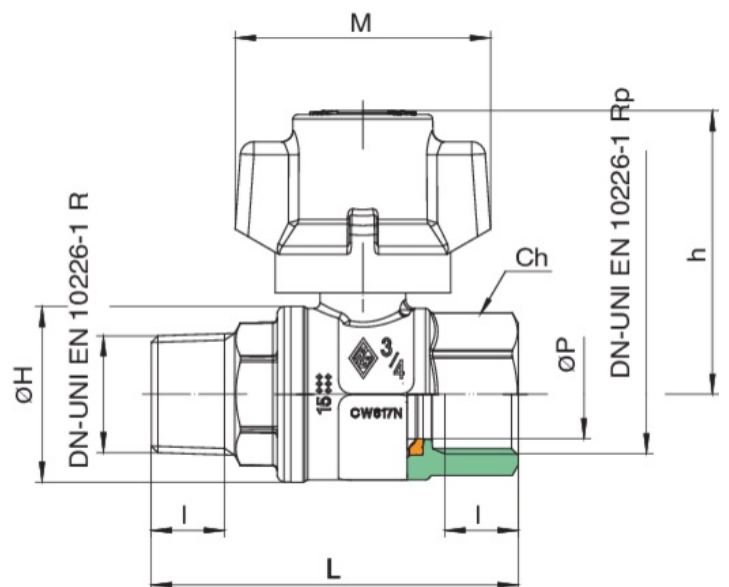
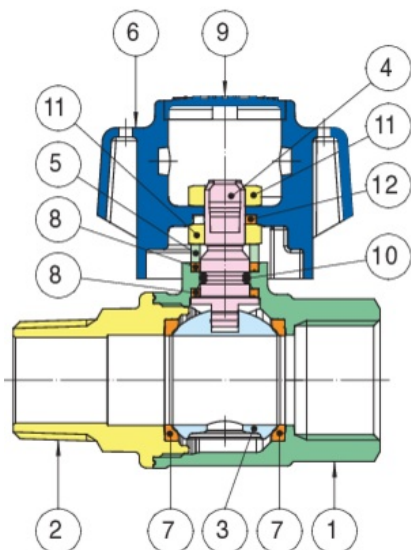
PATENTED



Full bore ball valve for water, M/F threaded, with **anti-tampering** T-handle and ball with automatic rinsing system.



Technical specifications



| POSITION | PART NAME | MATERIAL | N.° PIECES |
|----------|-------------------------|---------------------------|------------|
| 1 | BODY | BRASS CW617N UNI EN 12420 | 1 |
| 2 | END CONNECTION | BRASS CW617N UNI EN 12420 | 1 |
| 3 | BALL | BRASS CW617N UNI EN 12420 | 1 |
| 4 | STEM | BRASS CW614N UNI EN 12164 | 1 |
| 5 | PACKING GLAND | BRASS CW614N UNI EN 12164 | 1 |
| 6 | T-HANDLE | PA6 | 1 |
| 7 | BALL SEAT | PTFE | 2 |
| 8 | STEM SEAL/THRUST WASHER | PTFE | 2 |
| 9 | TAP | PE | 1 |
| 10 | O-RING | NBR | 1 |
| 11 | NUT | STEEL CL 04 | 2 |
| 12 | WASHER | STEEL | 1 |

| SIZE | DN | BOX | MASTER BOX | CODE | ØP | I | L | ØH | CH | M | H | KV | PN | KG |
|------|----|-----|------------|------------|----|------|------|----|----|----|------|------|----|------|
| 1/2" | 15 | 15 | 60 | 2091040000 | 15 | 15 | 72,5 | 33 | 27 | 57 | 55,5 | 16,3 | 64 | 0,28 |
| 3/4" | 20 | 10 | 40 | 2091050000 | 20 | 16,3 | 81,5 | 39 | 32 | 57 | 63 | 29,5 | 64 | 0,39 |
| 1" | 25 | 10 | 20 | 2091060000 | 25 | 19,1 | 94,5 | 49 | 38 | 57 | 66,5 | 43 | 64 | 0,62 |

Applications



DRINKING
WATER



MULTIUTILITY ONLY