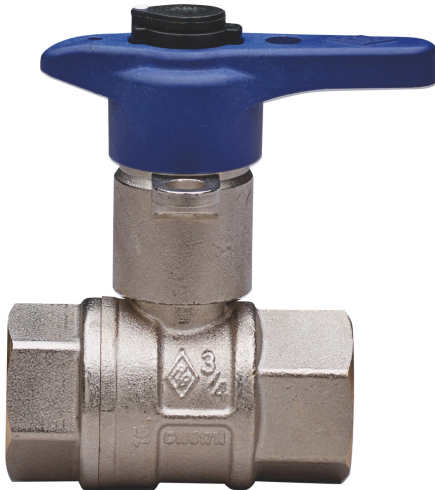


BUBBLE-SFER

2060

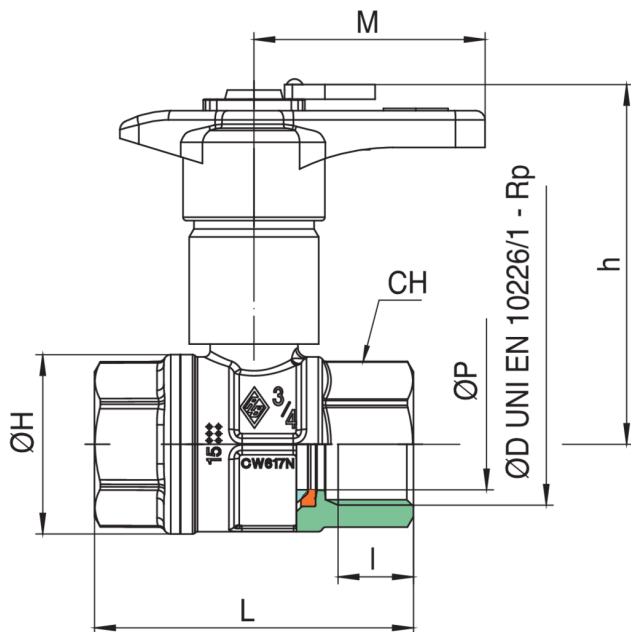
PATENTED



Water full bore ball valve, F/F threads, technopolymer handle, extractable and replaceable security lock and ball with automatic rinse system.

On request

Technical specifications



Multiutility

SIZE	DN	BOX	MASTER BOX	CODE	ØP	I	L	ØH	CH	M	H	KV	PN	KG
1/2"	15	20	90	2060040020	15	15	62	33	27	50	69	16,3	64	0,31
3/4"	20	20	90	2060050020	20	16,3	69	39	32	50	78	29,5	64	0,44
1"	25	20	40	2060060020	25	19,1	83	49	38	50	82	43	64	0,64

Idrotermo sanitaria (ITS)

SIZE	DN	BOX	MASTER BOX	CODE	ØP	I	L	ØH	CH	M	H	KV	PN	KG
1/2"	15	5	20	2060040005	15	15	62	33	27	50	69	16,3	64	0,31
3/4"	20	5	20	2060050005	20	16,3	69	39	32	50	78	29,5	64	0,44
1"	25	5	20	2060060005	25	19,1	83	49	38	50	82	43	64	0,64

Applications



DRINKING
WATER



MULTIUTILITY ONLY