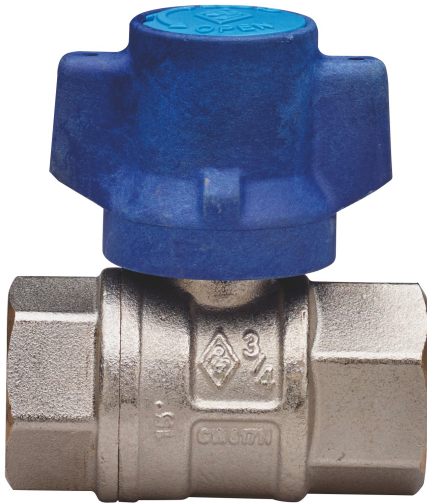


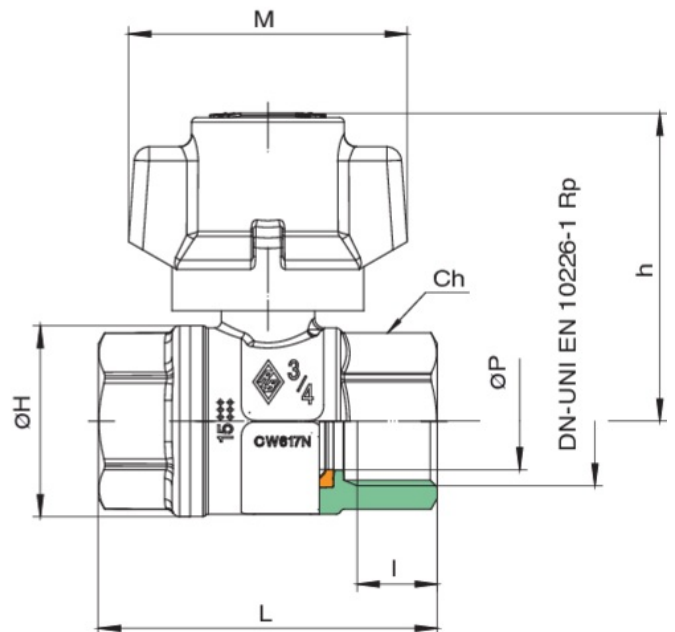
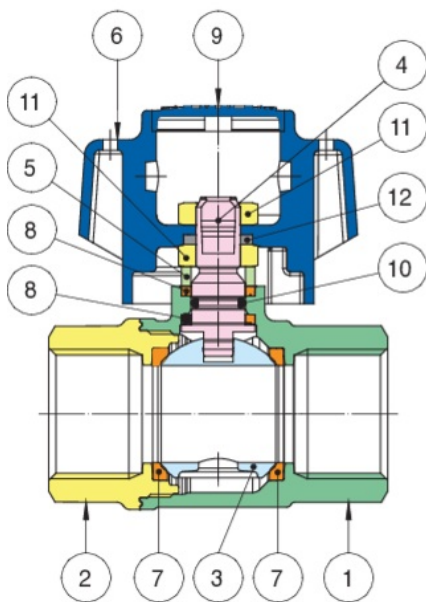
BUBBLE-SFER

2090

Full bore ball valve for water, F/F threaded, with **anti-tampering** T-handle and ball with automatic rinse system.



Technical specifications



POSITION	PART NAME	MATERIAL	N.° PIECES
1	BODY	BRASS CW617N UNI EN 12420	1
2	END CONNECTION	BRASS CW617N UNI EN 12420	1
3	BALL	BRASS CW617N UNI EN 12420	1
4	STEM	BRASS CW614N UNI EN 12164	1
5	PACKING GLAND	BRASS CW614N UNI EN 12164	1
6	T-HANDLE	PAmxD6	1
7	BALL SEAT	PTFE	2
8	STEM SEAL/THRUST WASHER	PTFE	2
9	TAP	PE	1
10	O-RING	NBR	1
11	NUT	STEEL CL 04	2
12	WASHER	STEEL	1

SIZE	DN	BOX	MASTER BOX	CODE	ØP	I	L	ØH	CH	M	H	KV	PN	KG
1/2"	15	15	60	2090040000	15	15	62	33	27	57	55,5	16,3	64	0,27
3/4"	20	10	40	2090050000	20	16,3	69	39	32	57	63	29,5	64	0,37
1"	25	10	20	2090060000	25	19,1	83	49	38	57	66,5	43	64	0,57

Applications



DRINKING
WATER



MULTIUTILITY ONLY