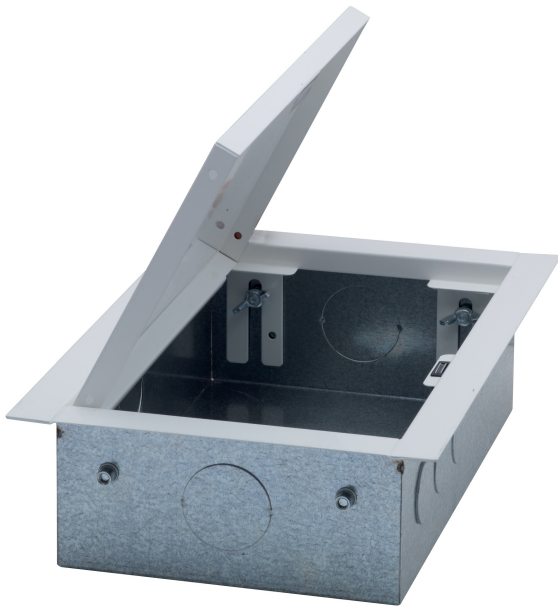
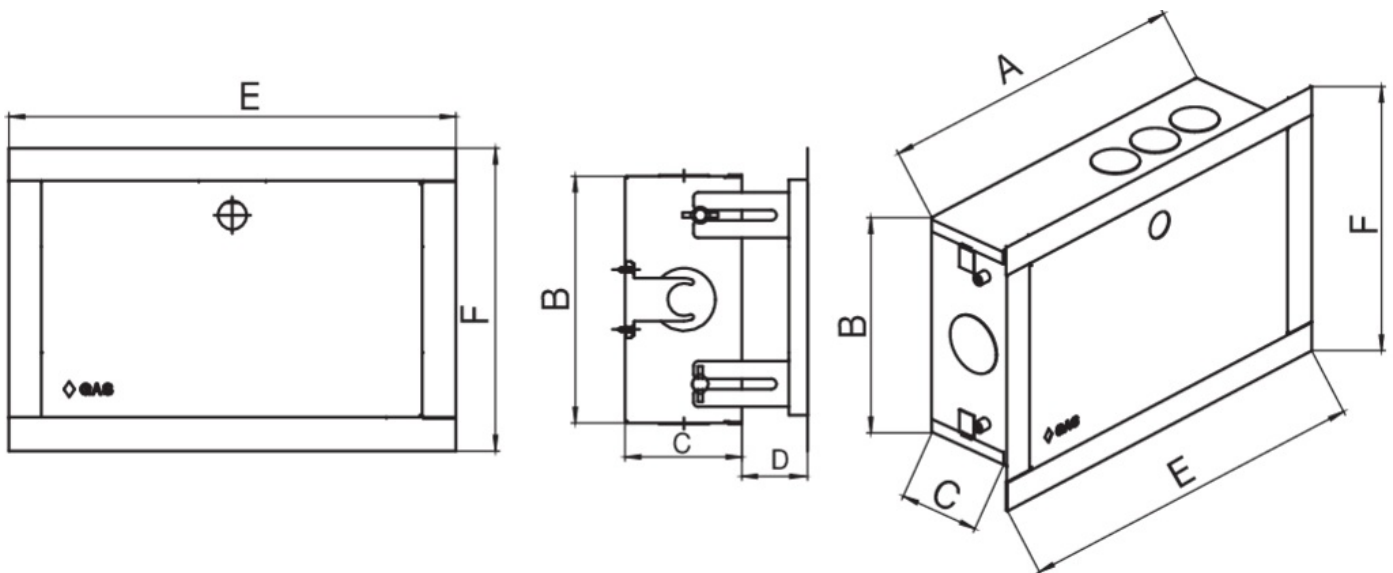


9373

Built-in box for gas manifold.



Technical specifications



A X B X C	MASTER BOX	CODE	D	E	F
300 x 190 x 90	1	9373000000	50	345	233

Applications



GAS